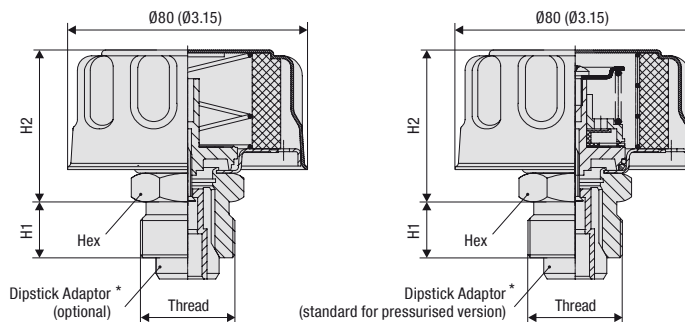


**Metal Filler Breather - Type SMBT-80 (Screw-In Version)**



**Without Pressurisation**

**Pressurised**

\* Please note: The dipstick adaptor is not available for connection threads G1/2 and 1/2 NPT.

**Characteristics**

Designed to be used as filler ports for hydraulic reservoirs, allowing the reservoir to breathe whilst protecting it from contamination found in harsh environments

**Features**

- Cap diameter of Ø80 mm / Ø3.15 in
- Screw-in version, equipped with male BSP thread (ISO 228) or male NPT thread (ANSI B1.20.1)
- Operating temperature range: -30 °C ... +120 °C / -22 °F ... +248 °F

**Materials**

- Breather cap made of Steel, zinc/nickel-plated (Fe/Zn Ni 6) and free of hexavalent chromium CrVI (standard option); chrome-plated and epoxy-coated versions available
- Threaded socket made of Steel, zinc-plated
- Dipstick adaptor made of Polyamide (PA)

Consult STAUFF for alternative materials.

**Accessories / Options**

- Pressurisation up to 0,7 bar / 10 PSI
- Air filter element
- Dipstick adaptor suitable for plastic dipstick DS-1 (not for connection threads G1/2 and 1/2 NPT)
- Plastic dipstick DS-1 with integrated anti-splash feature (not for connection threads G1/2 and 1/2 NPT)

**Maximum Air Flow Rate**

- 0,45 m³/min / 15.89 cfm

Consult STAUFF for detailed air flow curves.

**Oil Displacement**

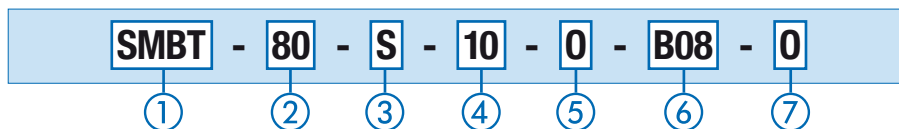
- 450 l/min / 119 US GPM

**Dimensions**

Thread	Dimensions (mm/in)		
	H1	H2	Hex
Male G1/2 BSP (ISO 228)	14 .55	54 2.13	24 .94
Male G3/4 BSP (ISO 228)	16 .63	54 2.13	30 1.18
Male G1 BSP (ISO 228)	19 .75	54 2.13	36 1.42

Thread	Dimensions (mm/in)		
	H1	H2	Hex
Male 1/2 NPT (ANSI B1.20.1)	14 .51	52,5 2.07	24 .94
Male 3/4 NPT (ANSI B1.20.1)	16 .59	52,5 2.07	30 1.18
Male G1 NPT (ANSI B1.20.1)	19 .75	52,5 2.07	36 1.42

**Order Codes**



**① Type / Version**

Metal Filler Breather; Screw-in version **SMBT**

**② Cap Diameter / Material / Surface Finishing**

Cap diameter Ø80 mm (Ø3.15 in); Breather cap made of Steel, zinc/nickel-plated (standard option) **80**  
 Cap diameter Ø80 mm (Ø3.15 in); Breather cap made of Steel, chrome-plated **80C**  
 Cap diameter Ø80 mm (Ø3.15 in); Breather cap made of Steel, epoxy-coated **80E**

**③ Label**

With STAUFF logo (standard option) **S**  
 Neutral design without any logo **N**

**④ Air Filter Element (Material / Micron Rating)**

Without air filter element **00**  
 3 µm Filter Paper **03**  
 10 µm Foam / PUR (standard option) **10**  
 40 µm Foam / PUR **40**

Consult STAUFF for alternative materials / micron ratings.

**⑤ Pressurisation**

Without pressurisation (standard option) **0**  
 Pressurised at 0,35 bar / 5 PSI **P2**  
 Pressurised at 0,7 bar / 10 PSI **P3**

**⑥ Connection Thread (Male)**

G1/2 **B08**  
 G3/4 **B12**  
 G1 **B16**  
 1/2 NPT **N08**  
 3/4 NPT **N12**  
 1 NPT **N16**

Consult STAUFF for alternative threads.

**⑦ Dipstick**

Without dipstick (standard option) **0**  
 With dipstick adaptor suitable for dipstick DS-1 (not for connection threads G1/2 and 1/2 NPT) **A**  
 With dipstick adaptor and plastic dipstick DS-1 (300 mm / 11.81 in) with integrated anti-splash feature (not for connection threads G1/2 and 1/2 NPT) **D300**

A shorter dipstick length can be achieved by simply cutting down the total length according to individual requirements.

Please note: The dipstick adaptor is required for the subsequent installation of plastic dipsticks DS-1 (see page E14 for details), and is included in delivery when ordering a pressurised version. The dipstick adaptor is not available for connection threads G1/2 and 1/2 NPT.