



# HYDRAULIC MEGASTORE

FT 290

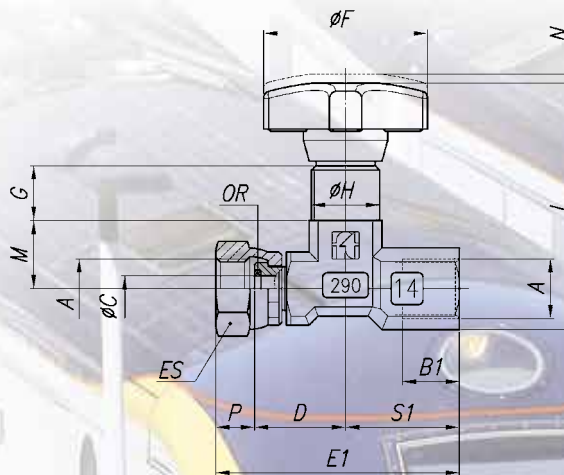


SPECIAL VERSIONS  
ONLY FOR TYPE 14  
SUPPLIED ON REQUEST  
FOR QUANTITIES OF  
AT LEAST 200 PIECES

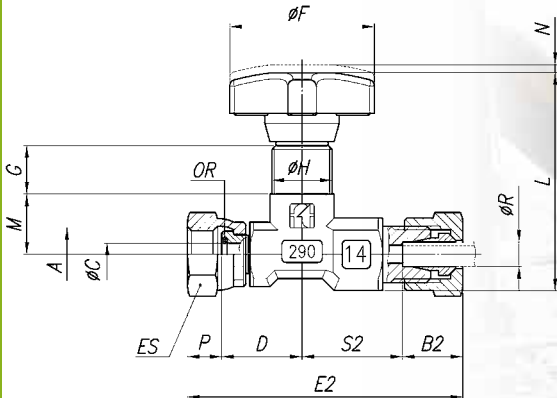
## MATERIALS

BODY	11 S MN Pb 30 - UNI EN 10087 - PRESS FORG.
NEEDLE	35 S MN Pb 23 - UNI EN 10087 - BURNISHED
OR	NITRILE
ANTIEXTRUSION RING	PTFE
HANDWHEEL	NYLON 66

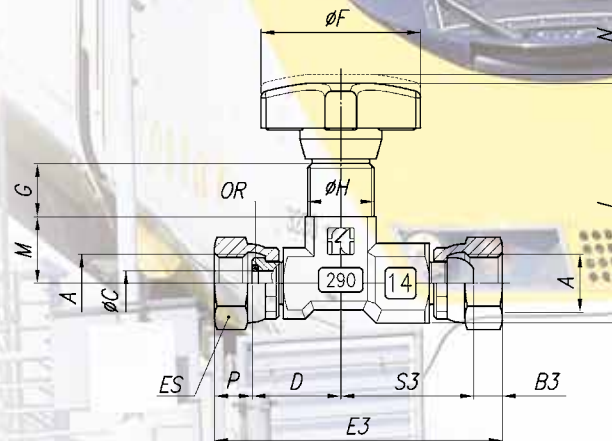
All components are surface treated and protected



CODE FT 290-01  
CONNECTION: FEMALE-FEMALE



CODE FT 290-04  
CONNECTION RIGID PIPES - DIN 2353



CODE FT 290-05  
CONNECTION FLEXIBLE PIPES DIN 3861 - DIN 7611

## DIMENSIONS

A	B1	B2	B3	øC	D	E1	E2	E3	øF	G	H	L	M	N	P	R	S1	S2	S3	OR	ES	WEIGHT KG
1/4"G	11	15	6,5	5,6	20	54,5	69,5	66	34	12	M15x1	53	15	2	8,5	6	25	25	30	2108	18	ø10,125
																						ø40,150
																						ø50,145



## GAUGE ISOLATOR NEEDLE VALVES IN LINE

The FT290 isolator needle valves (in line) are normally used to protect the pressure gauge since they have the double function of dampening pressure surge during opening and of isolating the pressure gauge entirely. Pressed in high-resistance steel, protected by an accurate treatment, subjected to strict tests, they ensure reliability and long life.

A rotating swivel nut allows for accurate pressure gauge orientation. The sealing, standard supplied, and inserted in the nut, prevents any drawing between the connection and the gauge.

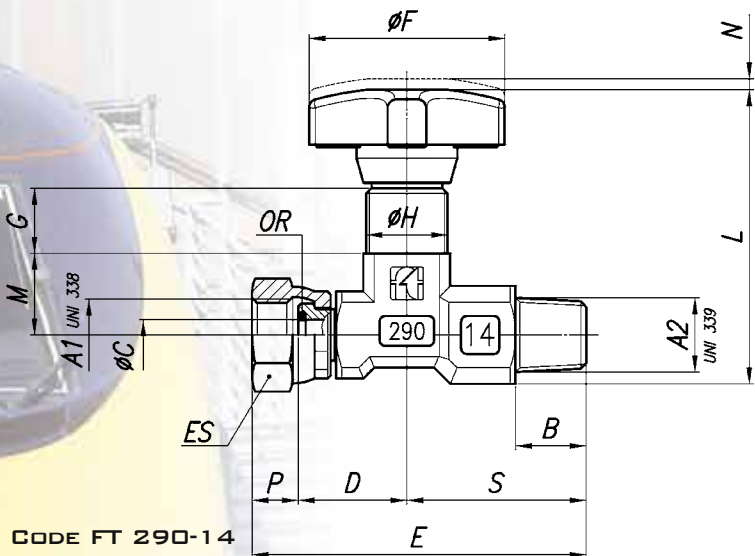
For pressure gauge with taper threads, it will be necessary to use copper washers FT 1201 shown on page 219 of this catalogue (to be requested separately). Suitable for pressure up to 400 bar and temperature from -20° to +100° they can be panel mounted by use of lock nut (G), supplied on request.

### On request

- Versions with connections female/female (01)
- For rigid pipes (04)
- For flexible pipes (05)
- Seals in Viton (V)
- Complete with lock nut (G). Indicate whether KM or hexagonal
- Version in AISI 316 code FT 2290



# FT 290



## DIMENSIONS

TYPE	A1 UNI 338	A2 UNI 339	B	ØC	D	E	ØF	G	H	L	M	N	P	S	OR	ES	WEIGHT KG
14	1/4"G	1/4"Gc	13	5,6	20	61,5	34	12	M15x1	53	15	2	8,5	33	2018	18	0,125
12	1/2"G	1/2"Gc	16	6,5	32	83	40	12,5	M20x1	82,5	19	6	11	40	2021	27	0,413

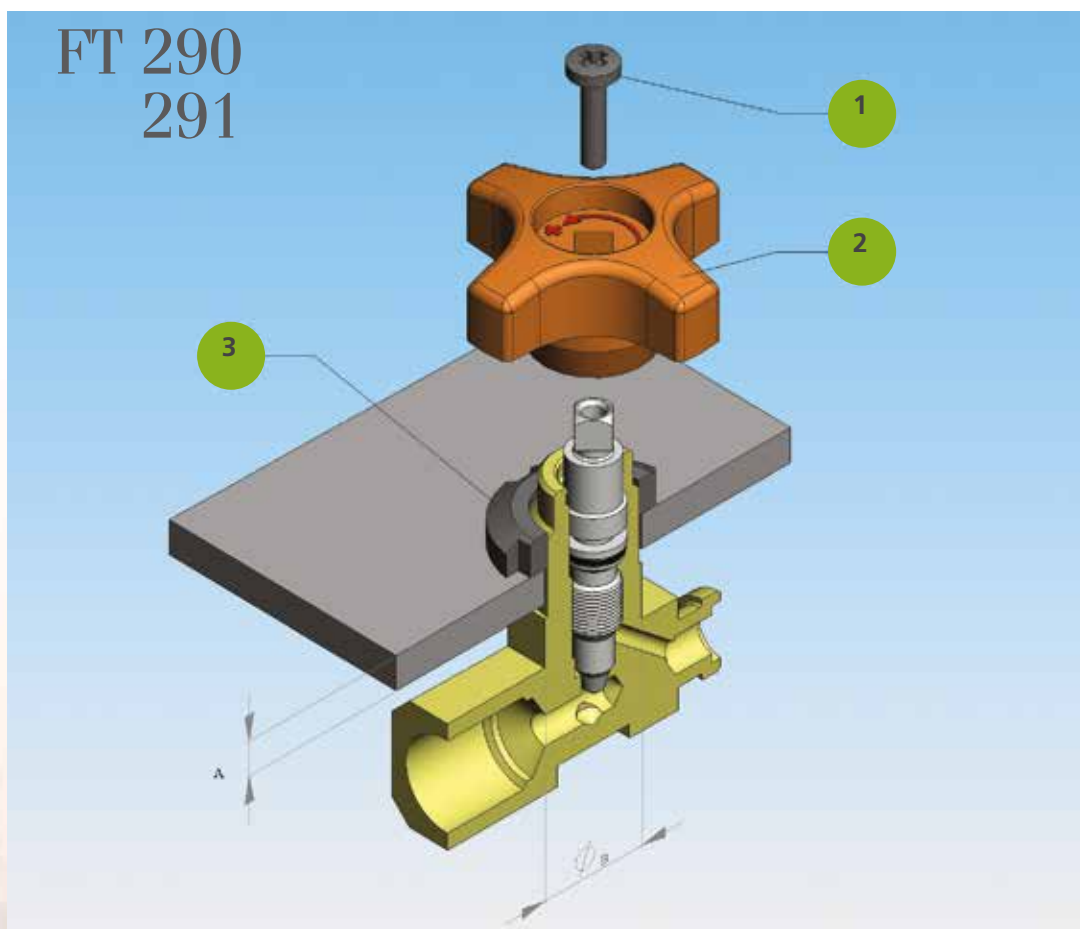
## EXAMPLE FOR ORDERING

CODE	TYPE F/F	TYPE M/F	CONNECTION	PANEL LOCK NUT	VITON SEAL
FT 290	14	14	01	G	V
FT 290	12	-	-	G	-



# HYDRAULIC MEGASTORE

FT 290 - 291



## ASSEMBLY INSTRUCTION

1°	REMOVE SCREW (1)
2°	PULL OFF HANDWHEEL (2)
3°	INSERT RING NUT (3) TYPE KM OR HEXAGONAL

PANEL A THICKNESS MAX	PANEL HOLE $\varnothing$ B
5	16

FT 290 - 291