



## LVA Series Level Gauges

### Temperature range

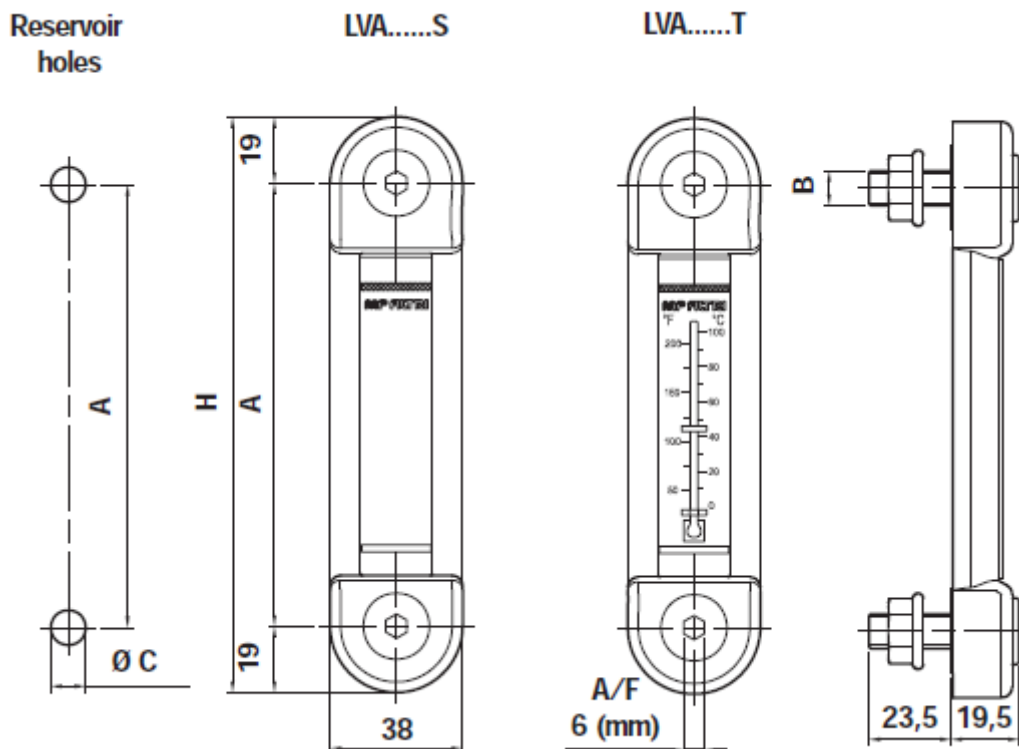
- -25°C to +100°C

### Compatibility

- NBR seals and Cork Gasket, compatible with: Mineral oils to ISO 2943 – aqueous emulsions, synthetic fluids, glycol water.

### Materials

- **Cover:** Polyamide
- **Screws:** Phosphated steel
- **Seals:** NBR
- **Lens:** Polyamide
- **Nameplate:** Painted aluminium
- **Terminal cap:** Nylon
- **Nuts:** Galvanised steel



Size	A	H	Weight (kg)
LVA 10	76	114	0.13
LVA 20	127	165	0.18
LVA 30	254	292	0.23

Type	B	C
LVA...M10	M10	10.5
LVA...M12	M12	12.5