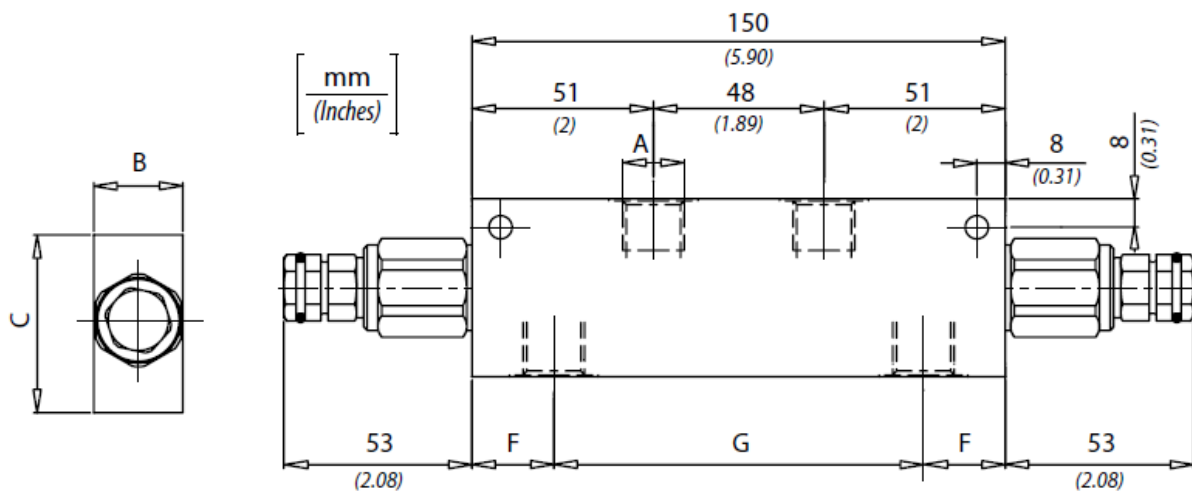
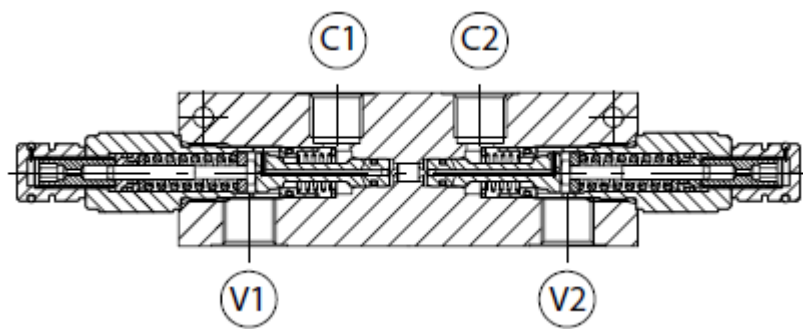
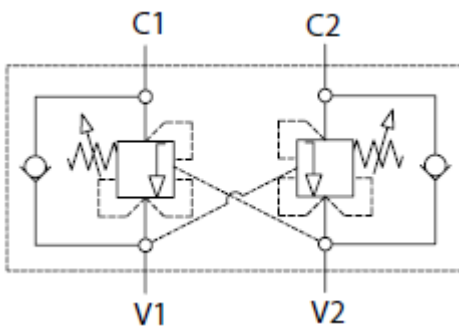


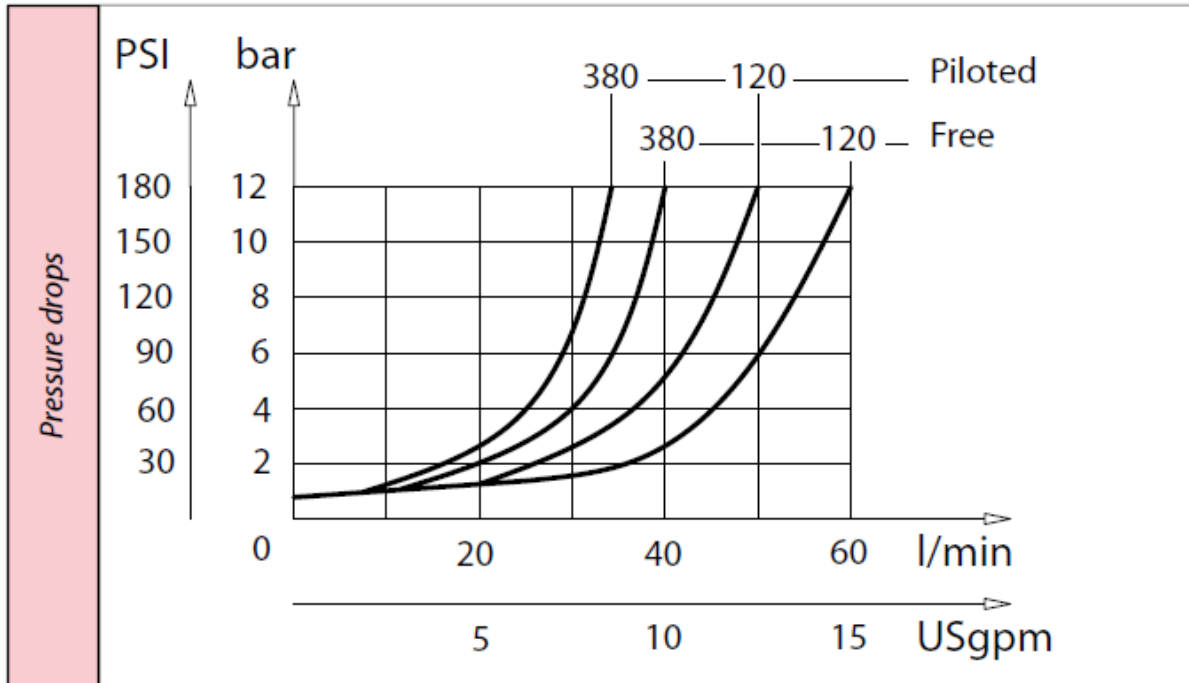


## VBCC – Dual Counterbalance Valves for Closed Centre



Technical Data	
<b>Fluid Viscosity</b>	10-500 mm <sup>2</sup> /s 45 to 2000 ssu (6 to 420 cSt)
<b>Filtration</b>	ISO code 16/13 SAE class 4 or better
<b>Fluid Temperature</b>	-20°C to +80°C -4°F to +176°F
<b>Ambient Temperature</b>	-20°C to +50°C -4°F to +122°F
Relief valve setting: At least 1.3 times the highest expected load.	





## Technical Performances

Code	A	Max Flow l/min	Max Pressure Bar/PSI	F	G	Approx Weight kg/lb	Pilot ratio
VBCC140	BSPP 1/4	30	350 (5000)	23 (0.90)	104 (4.09)	1.5 (3.3)	1:4.25
VBCC380	BSPP 3/8	40					
VBCC120	BSPP 1/2	60					