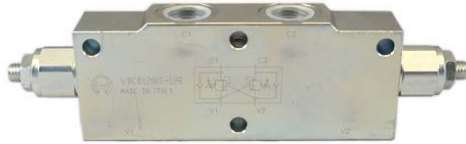
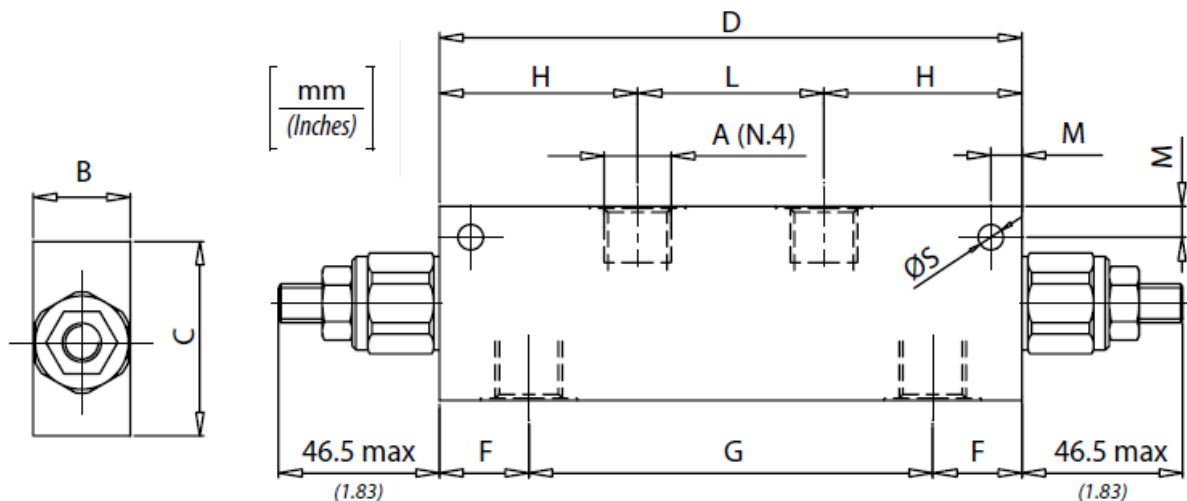
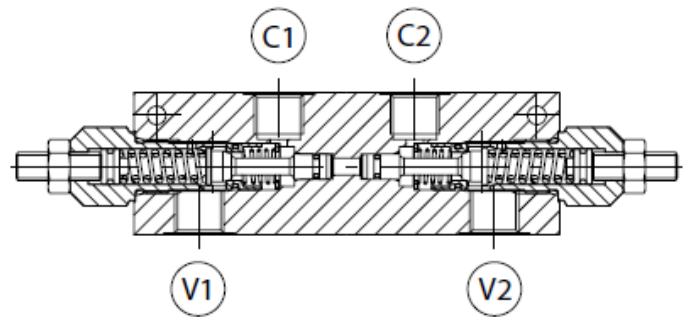
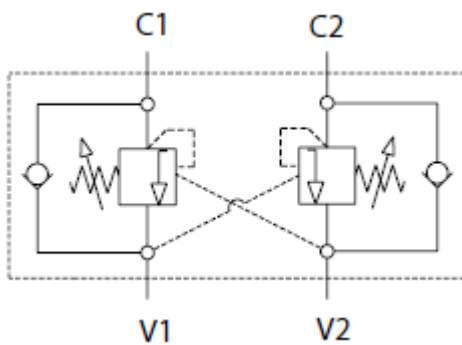




VBCC – Dual Counterbalance Valves for Open Centre



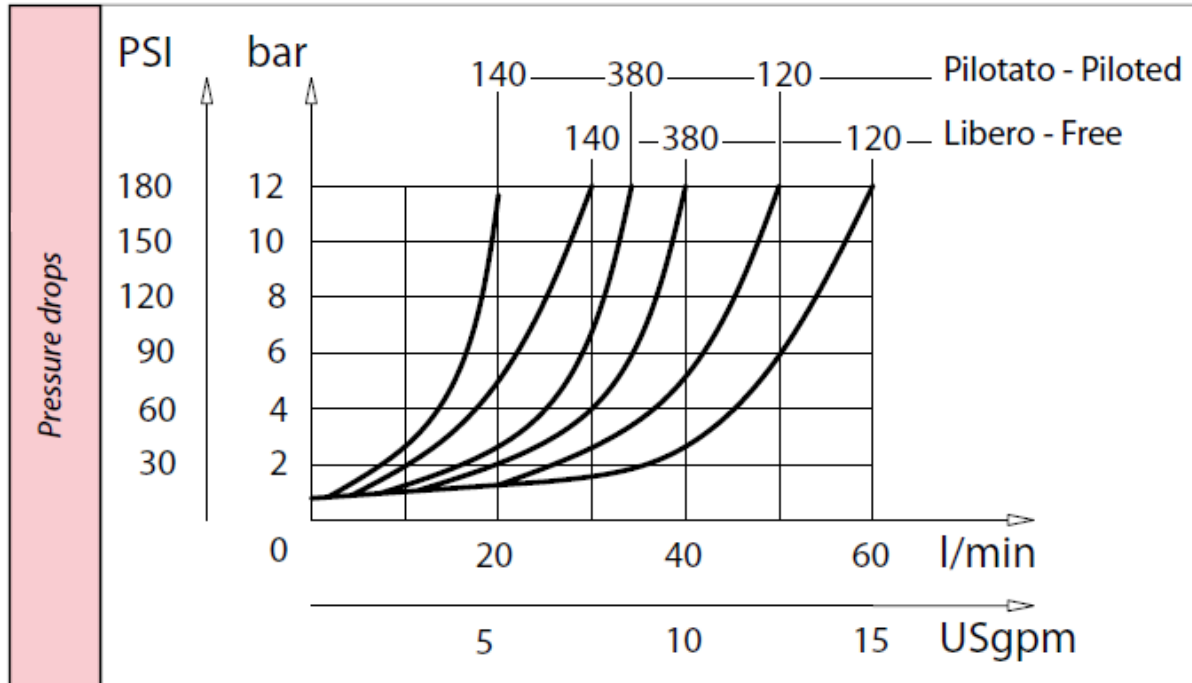
Technical Data	
Fluid Viscosity	10-500 mm ² /s 45 to 2000 ssu (6 to 420 cSt)
Filtration	ISO code 16/13 SAE class 4 or better
Fluid Temperature	-20°C to +80°C -4°F to +176°F
Ambient Temperature	-20°C to +50°C -4°F to +122°F
Relief valve setting: At least 1.3 times the highest expected load.	





HYDRAULIC MEGASTORE

Serving the Hydraulics Industry Worldwide



Technical Performances														
Code	A	Max flow l/min	Max Pressure Bar/PSI	B	C	D	F	G	H	L	M	S	Approx weight kg/lb	Pilot ratio
VBCD140	BSPP 1/4	30	350 (5000)	25 (0.98)	25 (0.98)	150 (5.90)	23 (0.90)	104 (4.09)	51 (2)	48 (1.89)	8 (0.32)	6.5 (0.26)	1.5 (3.3)	1:4.25
VBCD380	BSPP 3/8	40		30 (1.18)	60 (2.36)		21 (0.83)	108 (4.25)		2 (4.4)				
VBCD120	BSPP 1/2	60												