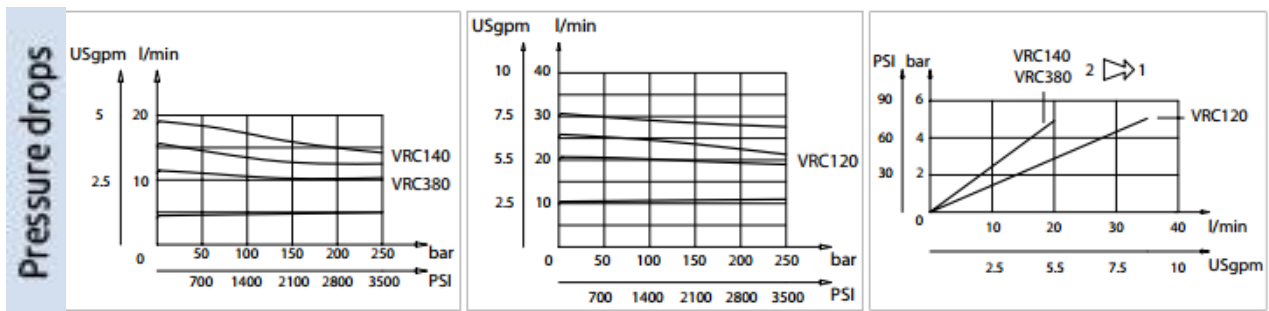
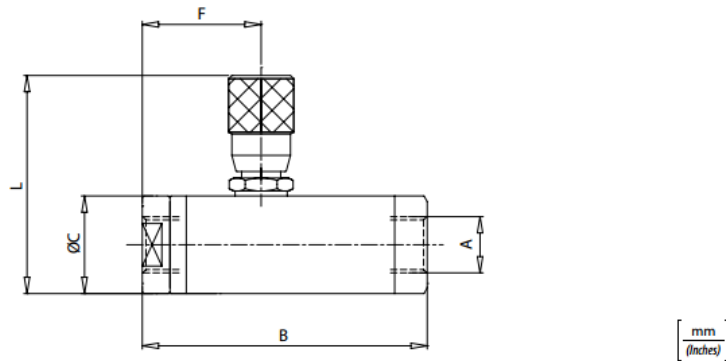
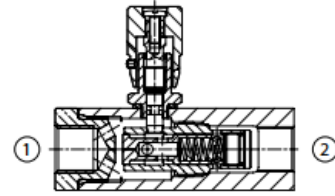




Technical Data	
Fluid viscosity	10-500 mm ² /s 45 to 2000 ssu (6 to 420 cSt)
Filtration	ISO code 16/13 SAE class 4 or better
Fluid temperature	20°C +80°C -4°F + 176°F
Ambient temperature	20°C +50°C -4°F +122°F

VRC Pressure Compensated Valve



Technical Performances								
Code	A	L/Min	Max Pressure BAR/PSI	B	C	F	L	Approx Weight
VRC140	BSPP1/4	10(2.5)	250 (3600)	88(3.46)	27(1.06)	51(2)	52(2.05)	0.49
VRC380	BSPP3/8	18(4.7)		108(4.25)	36(1.42)	61(2.40)	57(2.25)	0.48
VRC120	BSPP1/2	33(8.7)						0.72