



HYDRAULIC MEGASTORE

Serving the Hydraulics Industry Worldwide

BVC-2 SERIES

2 WAY HIGH PRESSURE

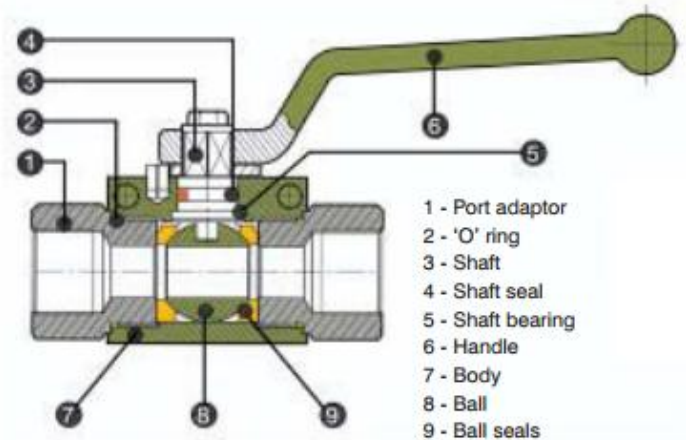
BALL VALVES

INTRODUCTION

Holmbury BVC2 ball valves are designed to suit a wide range of applications including mobile plant and industrial equipment. These valves should not be used as flow control valves and should therefore always be fully open or fully closed.

FEATURES

- Full bore valves provide an unrestricted flow path for negligible pressure drop.
- Floating ball on pre-compressed seals minimises wear and provides an excellent seal at positive and negative pressures.
- Operating temperatures from -20°C to +100°C
- Open to close in 1/4 turn (90°).
- Cranked handles are incorporated to provide good clearance for the operator's hands.



- 1 - Port adaptor
- 2 - 'O' ring
- 3 - Shaft
- 4 - Shaft seal
- 5 - Shaft bearing
- 6 - Handle
- 7 - Body
- 8 - Ball
- 9 - Ball seals

ORDER CODES

BVC-2 - 06 - 04 G -1 -1

Ball valve
2 way

Body Size:

06	25
10	32
12	40
19	50

Thread Size (dash system)

04 = 1/4"	16 = 1"
06 = 3/8"	20 = 1 1/4"
08 = 1/2"	24 = 1 1/2"
12 = 3/4"	32 = 2"

Thread Form:

G = BSP P, N = NPT, S = SAE

Ball Seals

1 = DELRIN, 2 = PTFE

Shaft seals

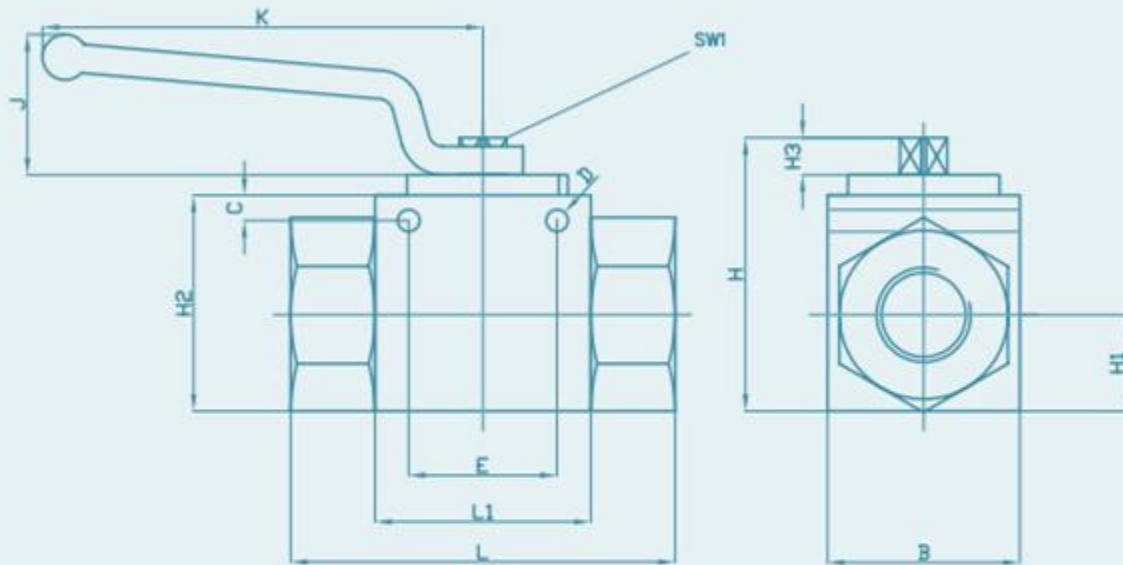
1 = Nitrile, 2 = Viton

Any other necessary information

MATERIALS

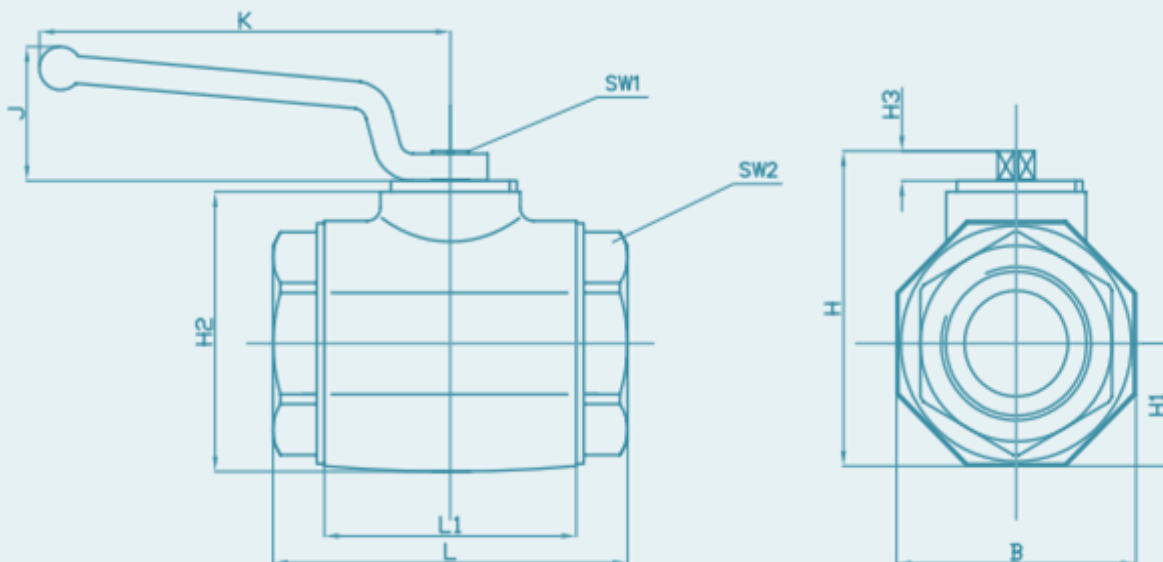
- Body and port adaptor are zinc plated steel (38SMn PB 10).
- Handle - steel forging, zinc plated.
- Ball - carbon steel.
- Ball seals - DELRIN (polyacetalic resin)
- Shaft seal - nitrile

2 WAY BALL VALVES - SIZES 6 to 32



Code	ND	Max W.P Bar	L	L1	B	H	H1	H2	H3	E	D	C	SW1	K	J
BVC-2-06-04G-1-1	6	500	69	37	28	44.5	13	32	8	26	5	4.5	9	135	40
BVC-2-10-06G-1-1	10	500	72	42	35	52.5	17	40	8	32	5	6.5	9	135	40
BVC-2-12-08G-1-1	13	500	83	48	35	52.5	17	40	8	37.5	4.8	6.5	9	135	40
BVC-2-19-12G-1-1	20	315	95	60	48	75	24	57	12	45	6.5	6.5	14	181	61
BVC-2-25-16G-1-1	25	315	113	65	57	82	28.5	64	12	55	6	6.7	14	181	61
BVC-2-32-20G-1-1	32	315	110	84	75	104.5	37.5	84	14	55	6	6.7	17	221	75

2 WAY BALL VALVES - SIZES 40 and 50



Code	ND	Max W.P Bar	L	L1	B	H	H1	H2	H3	SW1	K	J
BVC-2-40-24G-1-1	40	315	130	91	85	115.5	42.5	95	14	17	221	75
BVC-2-50-32G-1-1	50	315	140	100	105	133	52.5	112.5	14	17	221	75