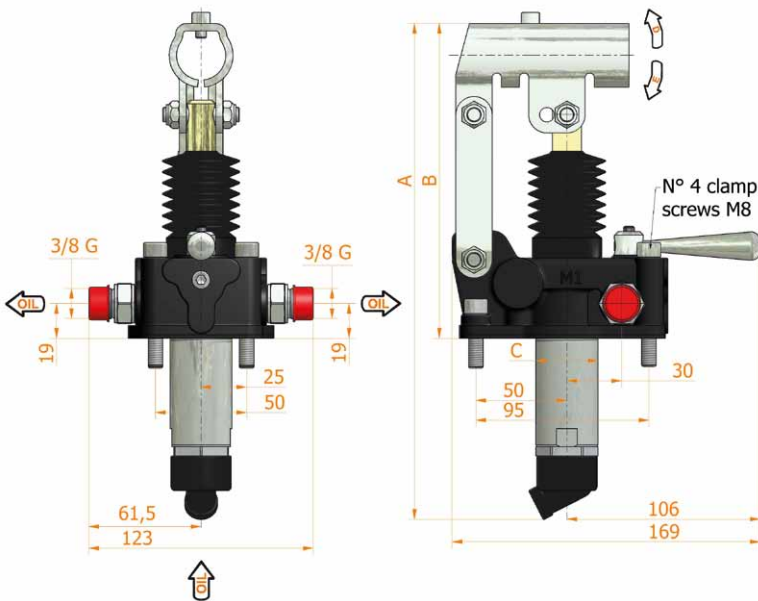
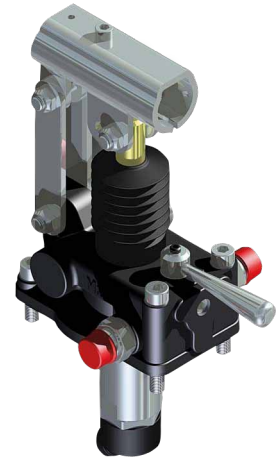
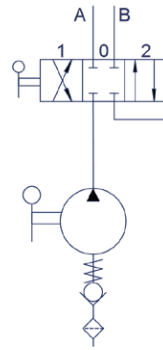
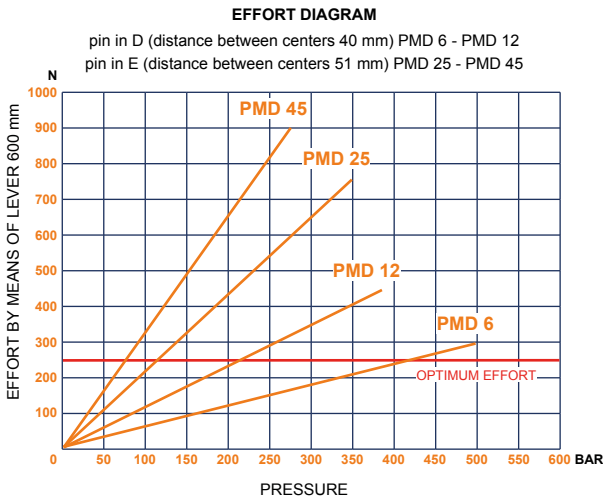




# HYDRAULIC MEGASTORE

Serving the Hydraulics Industry Worldwide

Double-acting hand pump with 4/3 diverter for a double-acting cylinder.  
 Assembling to tank.  
 Displacement: 6 - 12 - 25 - 45 cc.



**Specifications:**

- Cast iron body
- Piston treated with Niploy
- White zinc plated support lever
- Lever connection Ø 27
- White zinc plated external parts
- Standard colour black
- Oil tank mounting kit included

DISPLACEMENT cm <sup>3</sup>	A mm	B mm	C mm	D °	E °	ACTUAL DISPLACEMENT cm <sup>3</sup>	PRESSURE BAR		MASS KG	CODE WITH BELLOWS
							OPTIMAL	MAX		
6	253	166	34	26	31	6,970	420	500	3,400	PMD6-S
12	253	166	34	26	31	12,095	220	380	3,400	PMD12-S
25	273	172	34	30	30	25,280	120	350	3,450	PMD25-S
45	283	172	40	45	33	44,532	80	280	3,500	PMD45-S



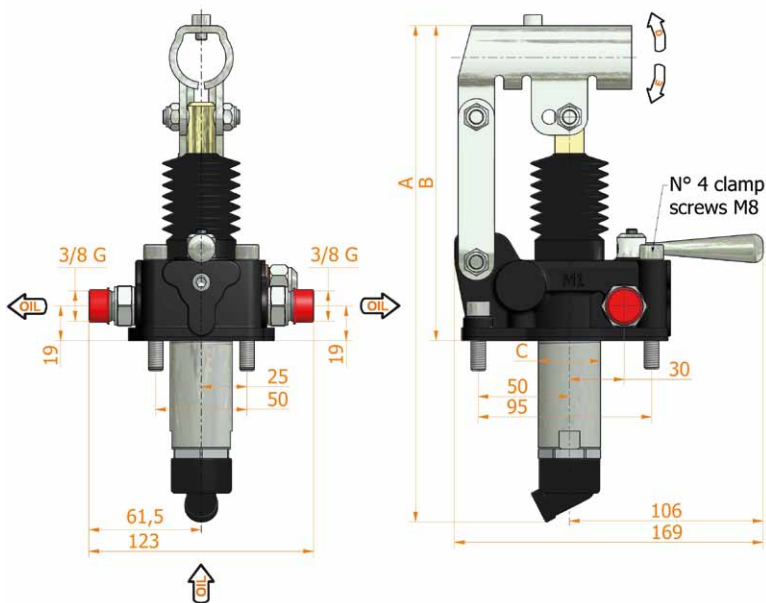
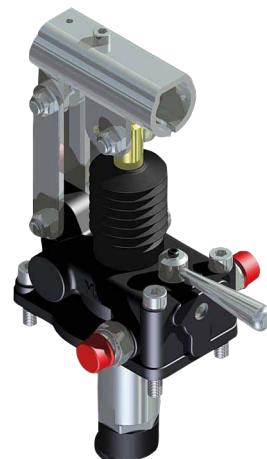
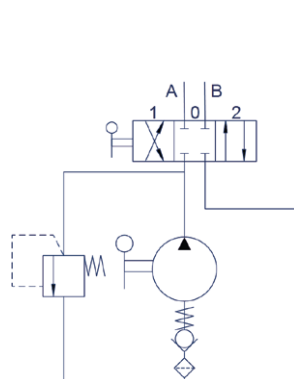
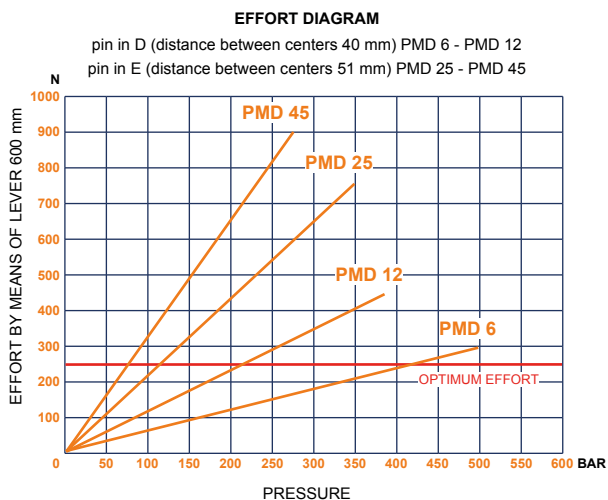
# HYDRAULIC MEGASTORE

Serving the Hydraulics Industry Worldwide

Double-acting hand pump with 4/3 diverter for a double-acting cylinder.

Assembling to tank.

Displacement: 6 - 12 - 25 - 45 cc.



**Specifications:**

- Cast iron body
- Piston treated with Niploy
- White zinc plated support lever
- Lever connection Ø 27
- White zinc plated external parts
- Standard colour black
- Oil tank mounting kit included
- Pressure relief valve standard setting: 100 bar

DISPLACEMENT cm <sup>3</sup>	A mm	B mm	C mm	D °	E °	ACTUAL DISPLACEMENT cm <sup>3</sup>	PRESSURE BAR		MASS KG	CODE WITH BELLOWS
							OPTIMAL	MAX		
6	253	166	34	26	31	6,970	420	500	3,400	PMD6-BYB-S
12	253	166	34	26	31	12,095	220	380	3,400	PMD12-BYB-S
25	273	172	34	30	30	25,280	120	350	3,450	PMD25-BYB-S
45	283	172	40	45	33	44,532	80	280	3,500	PMD45-BYB-S