



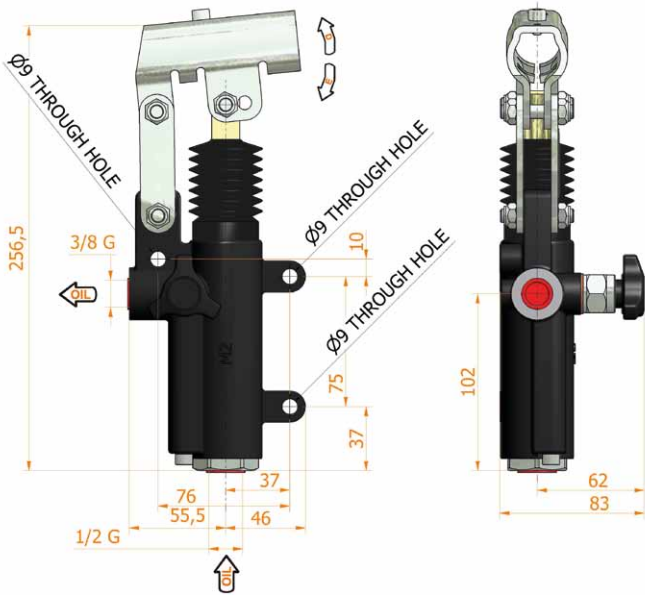
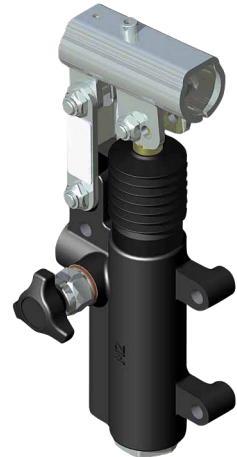
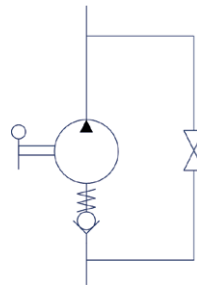
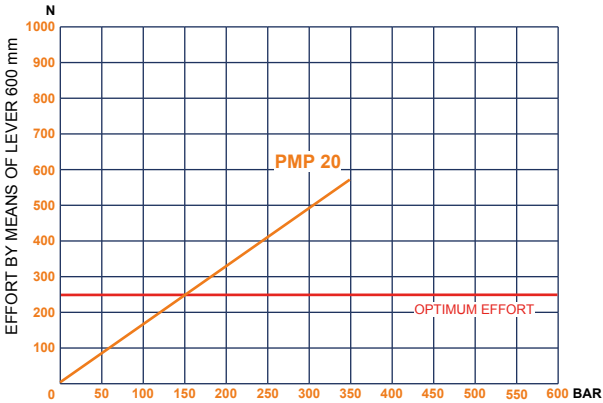
HYDRAULIC MEGASTORE

Serving the Hydraulics Industry Worldwide

Double-acting hand pump for a single-acting cylinder.
 Assembling in-line.
 Displacement: 12 - 20 - 25 cc

EFFORT DIAGRAM

pin in D (distance between centers: 40 mm)



Specifications:

- Cast iron body
- Piston treated with Niploy
- White zinc plated support lever
- Lever connection Ø 27
- White zinc plated external parts
- Standard colour black

DISPLACEMENT cm ³	A mm	B mm	C mm	D °	E °	ACTUAL DISPLACEMENT cm ³	PRESSURE BAR		MASS KG	CODE WITH BELLOWS
							OPTIMAL	MAX		
20	--	--	--	32	30	20,090	150	350	2,650	PMP20-S



HYDRAULIC MEGASTORE

Serving the Hydraulics Industry Worldwide

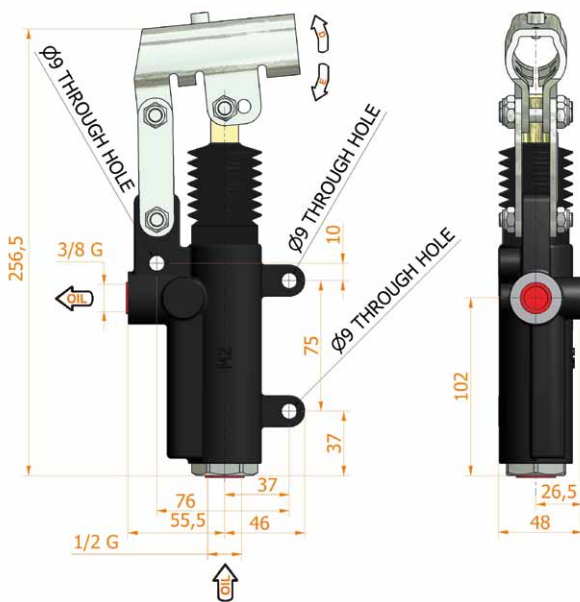
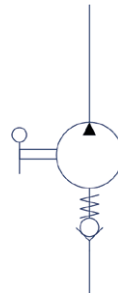
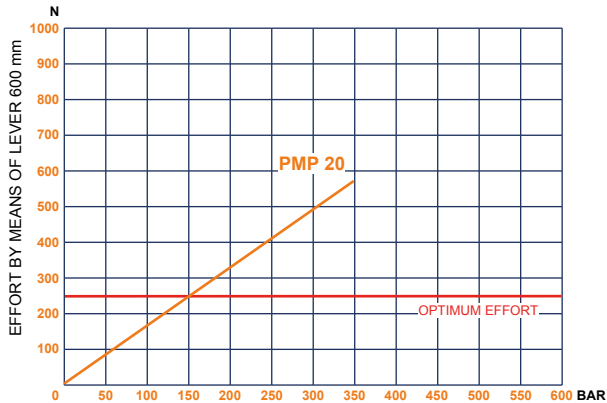
Double-acting hand pump for a single-acting cylinder.

Assembling in-line.

Displacement: 12 - 20 - 25 cc

EFFORT DIAGRAM

pin in D (distance between centers: 40 mm)



Specifications:

- Cast iron body
- Piston treated with Niploy
- White zinc plated support lever
- Lever connection $\varnothing 27$
- White zinc plated external parts
- Standard colour black

DISPLACEMENT cm ³	A mm	B mm	C mm	D °	E °	ACTUAL DISPLACEMENT cm ³	PRESSURE BAR		MASS KG	CODE WITH BELLOWS
							OPTIMAL	MAX		
20	--	--	--	32	30	20,090	150	350	2,650	PMP20-E-S