

# SFP.

ELESA original design

## Breather caps with splash guard



### Material

- Polyamide based (PA) technopolymer. Resistant to solvents, oils, greases and other chemical agents.
- Cover: RAL 2004 orange, semi-matte finish, marked "OIL".
- Threaded connector: black colour, semi-matte finish.

### Packing ring

NBR synthetic rubber.

### Splash guard

Technopolymer.

### Standard executions

- **SFP.**: without air filter (black splash guard).
- **SFP+F.**: with "tech-foam" air filter in polyurethane foam mesh (polyester base), air filtration 40  $\mu$  (grey splash guard) or with "tech-fill" air filter in zinc-plated steel wire (orange splash guard).
- **SFP.70-BA+F.**: with "tech-foam" air filter in polyurethane foam mesh (polyester base), air filtration 40  $\mu$  (grey splash guard).  
Zinc-plated steel sheet bayonet.  
Chrome-plated steel safety chain.

### Maximum continuous working temperature

100°C.

### Features and applications

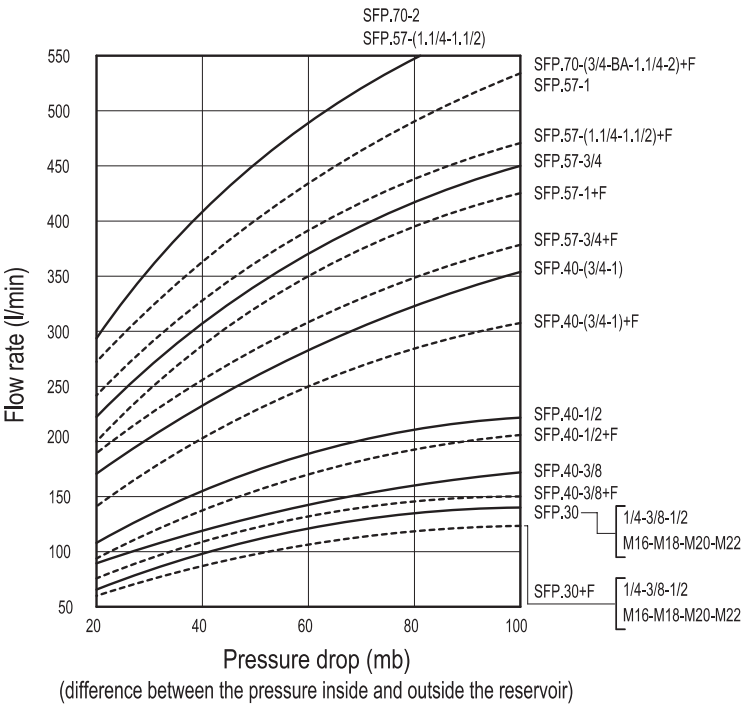
SFP breather caps come complete with splash guard device (ELESA original design) that prevents oil loss and are particularly suitable for use where oil is violently agitated and could be splashed against breather cap.

### Technical data

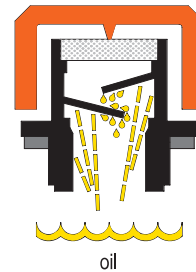
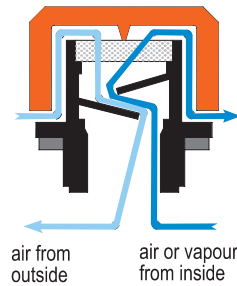
Air flow rate for each model can be determined from the graph calculating the difference between the pressure inside and outside the reservoir.

### Special executions on request

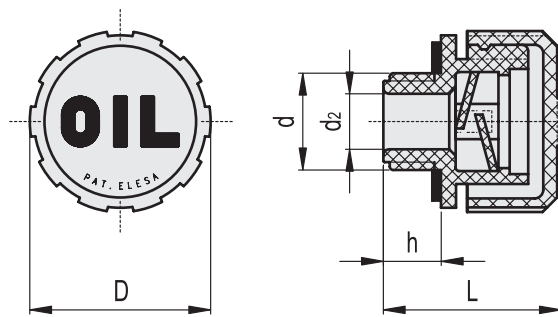
- Cover, RAL 2004 orange, without "OIL" mark.
- Black cover with or without "OIL" mark.
- Threaded connector also with NPT thread (National Taper pipe Thread - ANSI-ASME B1-20) for the codes marked with # in the table.



Operating layout



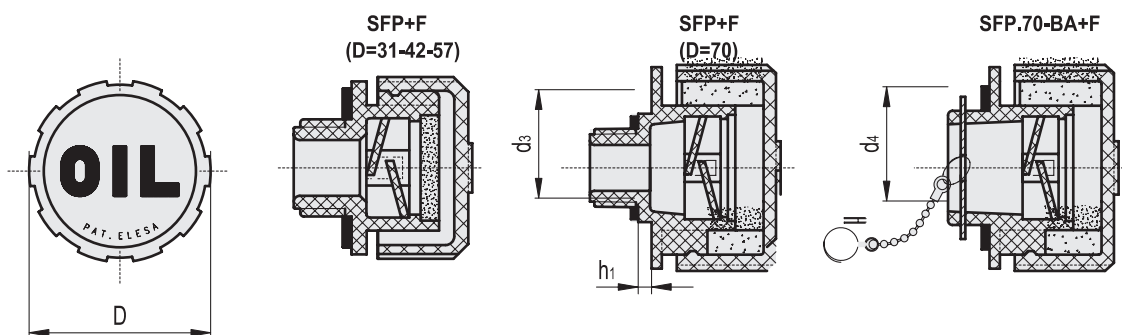
SFP.



SFP.

Code	Description	d	D	L	d <sub>2</sub>	h	⚖
53941	SFP.30-16x1.5	M16x1.5	31	29.5	10	9.5	10
53961	SFP.30-18x1.5	M18x1.5	31	29.5	10	9.5	10
53981	SFP.30-20x1.5	M20x1.5	31	29.5	12	9.5	11
53991	SFP.30-22x1.5	M22x1.5	31	29.5	12	9.5	11
53935	SFP.30-1/4#	G 1/4	31	29.5	8	9.5	10
54001	SFP.30-3/8	G 3/8	31	29.5	10	9.5	11
54101	SFP.30-1/2	G 1/2	31	29.5	12	9.5	11
56651	SFP.40-3/8#	G 3/8	42	36.5	10	11.5	20
56671	SFP.40-1/2#	G 1/2	42	36.5	12	11.5	22
54201	SFP.40-3/4#	G 3/4	42	36.5	18	11.5	22
54301	SFP.40-1	G 1	42	36.5	18	11.5	22
56701	SFP.57-3/4#	G 3/4	57	42	18	14	40
56731	SFP.57-1	G 1	57	42	23	14	40
54401	SFP.57-1¼	G1 1/4	57	44	32	16	41
54501	SFP.57-1½	G1 1/2	57	44	32	16	45
54876	SFP.70-2	G 2	70	59	23	17	82

# Types available on request with NPT thread (National Taper pipe Thread - ANSI-ASME B1-20).



### SFP+F

Code	Description	d	D	L	d <sub>2</sub>	d <sub>3</sub>	h	h <sub>1</sub>	⚖
53951	SFP.30-16x1.5+F FIL	M16x1.5	31	29.5	10	-	9.5	-	12
53952	SFP.30-16x1.5+F FOAM	M16x1.5	31	29.5	10	-	9.5	-	12
53971	SFP.30-18x1.5+F FIL	M18x1.5	31	29.5	10	-	9.5	-	13
53972	SFP.30-18x1.5+F FOAM	M18x1.5	31	29.5	10	-	9.5	-	13
53986	SFP.30-20x1.5+F FIL	M20x1.5	31	29.5	12	-	9.5	-	13
53987	SFP.30-20x1.5+F FOAM	M20x1.5	31	29.5	12	-	9.5	-	13
53996	SFP.30-22x1.5+F FIL	M22x1.5	31	29.5	12	-	9.5	-	14
53997	SFP.30-22x1.5+F FOAM	M22x1.5	31	29.5	12	-	9.5	-	14
53937	SFP.30-1/4+F FIL	G 1/4	31	29.5	8	-	9.5	-	11
53938	SFP.30-1/4+F FOAM	G 1/4	31	29.5	8	-	9.5	-	11
54021	SFP.30-3/8+F FIL	G 3/8	31	29.5	10	-	9.5	-	13
54022	SFP.30-3/8+F FOAM	G 3/8	31	29.5	10	-	9.5	-	13
54121	SFP.30-1/2+F FIL	G 1/2	31	29.5	12	-	9.5	-	15
54122	SFP.30-1/2+F FOAM	G 1/2	31	29.5	12	-	9.5	-	15
56661	SFP.40-3/8+F FIL	G 3/8	42	36.5	10	-	11.5	-	23
56662	SFP.40-3/8+F FOAM#	G 3/8	42	36.5	10	-	11.5	-	23
56681	SFP.40-1/2+F FIL	G 1/2	42	36.5	12	-	11.5	-	26
56682	SFP.40-1/2+F FOAM#	G 1/2	42	36.5	12	-	11.5	-	26
54221	SFP.40-3/4+F FIL	G 3/4	42	36.5	18	-	11.5	-	28
54222	SFP.40-3/4+F FOAM#	G 3/4	42	36.5	18	-	11.5	-	28
54321	SFP.40-1+F FIL	G 1	42	36.5	18	-	11.5	-	24
54322	SFP.40-1+F FOAM	G 1	42	36.5	18	-	11.5	-	24
56711	SFP.57-3/4+F FIL	G 3/4	57	42	18	-	14	-	50
56712	SFP.57-3/4+F FOAM#	G 3/4	57	42	18	-	14	-	50
56741	SFP.57-1+F FIL	G 1	57	42	23	-	14	-	50
56742	SFP.57-1+F FOAM	G 1	57	42	23	-	14	-	50
54421	SFP.57-1¼+F FIL	G1 1/4	57	44	32	-	16	-	50
54422	SFP.57-1¼+F FOAM	G1 1/4	57	44	32	-	16	-	50
54521	SFP.57-1½+F FIL	G1 1/2	57	44	32	-	16	-	54
54522	SFP.57-1½+F FOAM	G1 1/2	57	44	32	-	16	-	54
54851	SFP.70-3/4+F FOAM#	G 3/4	70	63	16	35	15	6	80
54861	SFP.70-1¼+F FOAM	G1 1/4	70	59	23	-	17	-	80
54878	SFP.70-2+F FOAM	G 2	70	59	23	-	17	-	85

### SFP.70-BA+F

Code	Description	D	L	d <sub>2</sub>	d <sub>4</sub>	h	⚖
54881	SFP.70-BA+F FOAM	70	56	23	39	14	91

# Types available on request with NPT thread (National Taper pipe Thread - ANSI-ASME B1-20).