

## Oil level indicators



• **Material**

Transparent polyamide based (PA-T) technopolymer. Resistant to solvents, oils with additives, greases, acids and alkali. Avoid contact with alcohol or detergents containing alcohol.

• **Star-shaped contrast screen**

Matte anodised aluminium with red central level point.

• **Packing ring**

NBR synthetic rubber.

• **Maximum continuous working temperature**

100°C.

**Features**

The particular shape of the magnifying lens increases and improves visibility even from side positions.

**Technical data**

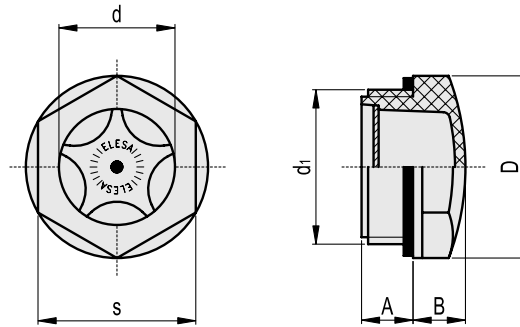
The tightening torque indicated in the table guarantees an optimal tightness, keeping the packing ring in the correct position.

**Note**

For use with other fluids with special additives, please contact ELESA Sales Department.

**Accessories on request**

Brass nut type GH. for fitting to reservoirs with wall thickness smaller than 5 mm.



Code	Description	d <sub>i</sub>	A	B	D	d	s	Tightening torque [Nm]	⚖
13661	HFTX.11-M16x1.5	M16x1.5	8	7	22	11	19	2÷3	4
13681	HFTX.14-M20x1.5	M20x1.5	9.5	8	26	14	22	8÷10	5
13701	HFTX.18-M25x1.5	M25x1.5	8	9	31.5	18	27	8÷10	8
13726	HFTX.21-M26x1.5	M26x1.5	13	9	31.5	18	27	8÷10	8
13711	HFTX.19-M27x1.5	M27x1.5	9	9	31.5	20	27	8÷10	8
13731	HFTX.22-M30x1.5	M30x1.5	9	10	35	22	30	8÷10	10
13751	HFTX.26-M35x1.5	M35x1.5	11	10	40	25	34	8÷10	13
13771	HFTX.31-M40x1.5	M40x1.5	11.5	13	47.5	30	40.5	8÷10	20
13651	HFTX.9-1/4	G 1/4	10	6	18	9	15	2÷3	3
13671	HFTX.12-3/8	G 3/8	7.5	7	22	11	19	3÷5	4
13691	HFTX.15-1/2	G 1/2	10.5	8	26	14	22	4÷6	5
13721	HFTX.20-3/4	G 3/4	10.5	9	31.5	20	27	6÷8	8
13741	HFTX.24-1	G 1	11	10	40	25	34	8÷10	12
13761	HFTX.30-1¼	G 1¼	11.5	13	47.5	30	40.5	8÷10	20