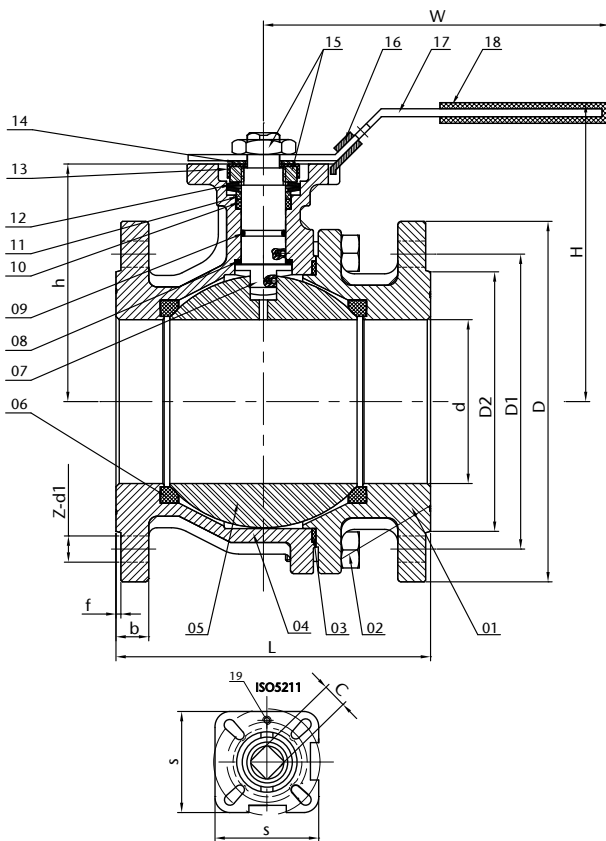


PN16/40 Stainless Steel Flanged Ball Valve

Features

- Flanged PN16/PN40
- PN40 Rated 1/2" to 2"
- PN16 Rated 2 1/2" to 4"
- RPTFE (15%) Seats
- PTFE/Viton Stem Seals
- Full Bore
- ISO 5211 Direct Mount
- Fire Safe Design

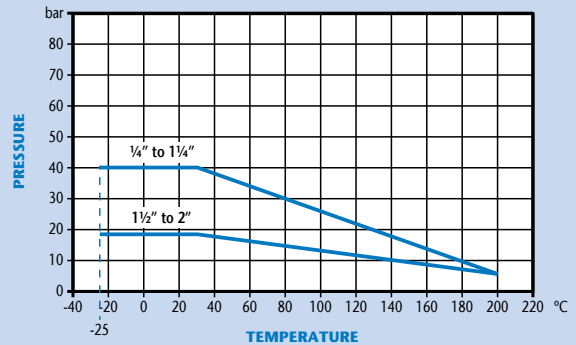


* Torque - Raw torque with no safety added

Technical Data

Max Pressure 40 Bar (1/2"-2") 16 Bar (2 1/2" - 4")
 Working Temperature -25°C to +200°C

Pressure / Temperature



DN	1/2"	3/4"	1"	1 1/4"	1 1/2"	2"	2 1/2"	3"	4"
d	15	20	25	32	40	50	65	80	100
L	115	120	125	130	140	150	170	180	190
D	95	105	115	140	150	165	185	200	220
D1	65	75	85	100	110	125	145	160	180
D2	45	58	68	78	88	102	122	138	158
b	16	18	18	18	18	20	18	20	20
f	2	2	2	2	3	3	3	3	3
H	82	87	90	100	105	125	142	155	168
W	120	120	160	160	200	200	255	255	300
C	9	9	11	11	14	14	17	17	17
ISO5211	F03/F04	F03/F04	F04/F05	F04/F05	F05/F07	F05/F07	F07/F010	F07/F010	F07/F010
Z-d1	4-Ø14	4-Ø14	4-Ø14	4-Ø18	4-Ø18	4-Ø18	4-Ø18	8-Ø18	8-Ø18
h	48	53	58.5	71	76.5	85	100	112.5	125.5
s	42.6	42.6	50	50	64.5	64.5	93.6	93.6	93.6
Torque	5	8	10	14	20	30	48	75	110
Kgs	2.91	3.38	3.73	4.95	6.10	8.90	12.8	18.9	26.6

N.	Part Name	Material
1	Cap	CF8M
2	Bolt	Stainless Steel 304
3	Body Gasket	PTFE
4	Body	CF8M
5	Ball	Stainless Steel 316
6	Ball Seat	R-PTFE (15%)
7	Stem	Stainless Steel 316
8	Thrust Washer	PTFE
9	O-Ring	Viton
10	Stem Packing	PTFE
11	Packing Ring	Stainless Steel 304
12	Belleville Washer	Stainless Steel 304
13	Nut Stopper	Stainless Steel 304
14	Plate Washer	Stainless Steel 304
15	Nut	Stainless Steel 304
16	Lock Device	Stainless Steel 304
17	Handle	Stainless Steel 304
18	Plastic Cover	Plastic
19	Stop Pin	Stainless Steel 304

Dimensions in mm

This data sheet is designed as a guide and should not be regarded as wholly accurate in every detail. We reserve the right to amend the specification of any product without notice.