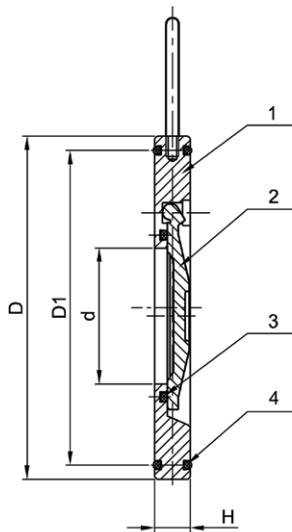
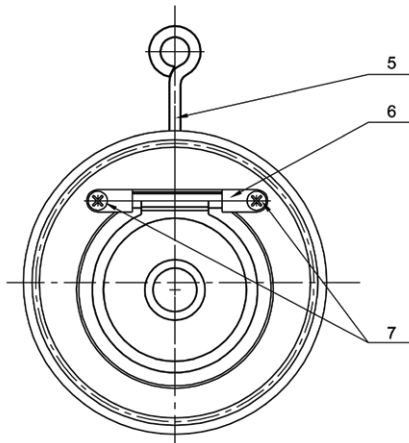


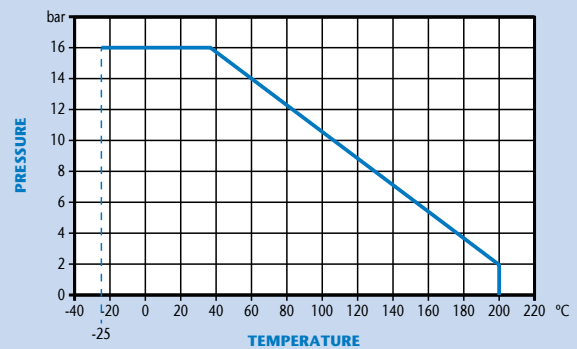
PN16 Stainless Steel Wafer Check Valve

Features

- Wafer Pattern to suit PN16 & ASA ISO Flanges
- Viton Seats & Seals
- Suitable for Upwards or Horizontal Flow
- PN16 Rated



Pressure / Temperature



DN	2"	2 1/2"	3"	4"	5"	6"	8"	10"	12"
d	32	40	54	70	92	114	154	200	230
D	105	124	136	164	194	220	275	330	384
D1	84	96	117.5	148	166	197	249	310	358
H	14	14	14	18	18	20	22	26	30
Kgs	0.85	1.15	1.34	2.30	3.10	4.40	7.10	12.0	20.5

Technical Data

Max Pressure 16 Bar
 Working Temperature -25°C to +200°C

N.	Part Name	Material
1	Body	CF8M
2	Disc	CF8M
3	Disc O'ring	Viton
4	External O'ring	Viton
5	Hook	Steel
6	Stem Stopper	Stainless Steel 316
7	Axis Screw	Stainless Steel 316

Dimensions in mm

This data sheet is designed as a guide and should not be regarded as wholly accurate in every detail. We reserve the right to amend the specification of any product without notice.