

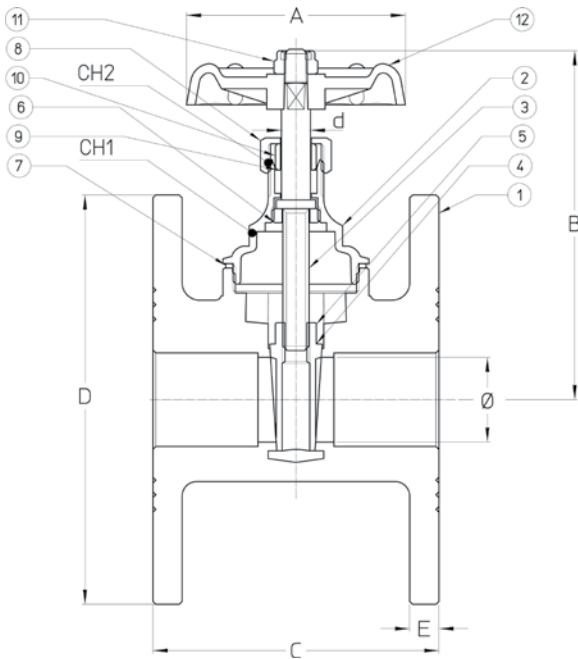
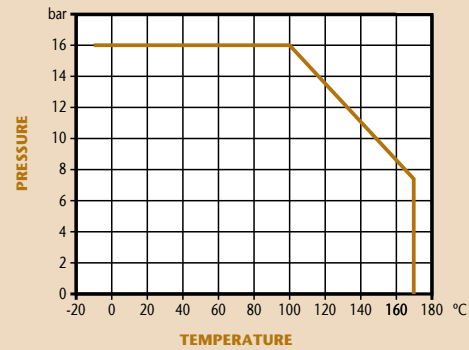
PN16 Flanged Bronze Gate Valve

Features

- Flanged PN16 (undrilled on request)
- Bronze Body
- PN 16 Rated
- BS 5154 (BS EN12288)



Pressure / Temperature



DN	1/2"	3/4"	1"	1 1/4"	1 1/2"	2"	2 1/4"	2 1/2"	3"	4"	5"	6"
Ø	15	20	25	32	40	50	60	70	80	100	125	150
A	55	60	65	75	80	90	90	110	120	140	175	175
B	84	95	102	120	134	150	173	185	205	250	306	360
C	69	83	89	98	115	126	141	154	160	170	190	210
D	95	105	120	140	150	162	175	160	189	230	260	290
E	8	8	10	10	11	11	12	12	13	17	17	18
CH1	24	30	32	32	39	47	49	55	66	84	114	136
CH2	18	18	18	21	23	25	25	30	30	37	45	50
d	8	8	8	10	10	12	12	13	14	17	19	21
Kgs	1.18	1.66	2.44	3.18	4.17	5.15	6.72	6.54	10.13	18.06	22.54	29.8

N.	Part Name	Materials
1	Body	Bronze
2	Bonnet	Brass
3	Stem	Brass
4	Wedge	1/4"-4" Brass
5	Wedge	5"-6" Bronze
6	Stem Ring	Brass
7	Packing	NA 1030 Gr
8	Gland Nut	Brass
9	Gland Packing	AF 15/MA
10	Gland	Brass
11	Nut	Steel
12	Handwheel	Aluminium Alloy

Technical Data

Max Pressure	16 Bar
Working Temperature	-10°C to +170°C

Dimensions in mm

This data sheet is designed as a guide and should not be regarded as wholly accurate in every detail. We reserve the right to amend the specification of any product without notice.