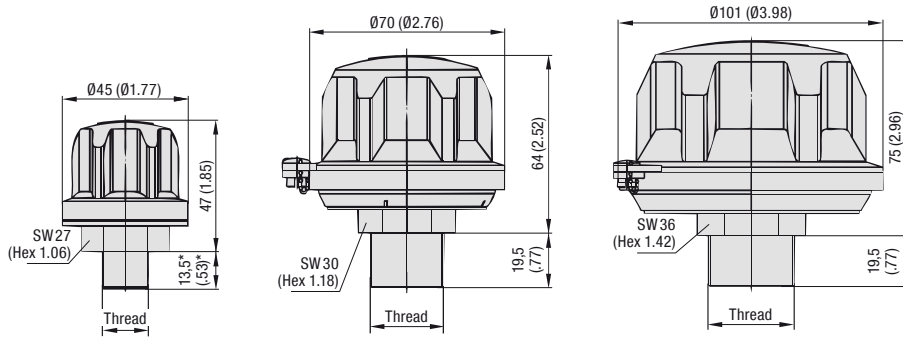


**Plastic Filler Breather - Types SPB 1 / 2 / 3
(Screw-In Version)**



SPB 1
* for thread type N12: 16,0 (.63)

SPB 2
(See page E16 for compact version SPBN)

SPB 3

Characteristics

Designed to be used as filler ports for hydraulic reservoirs, allowing the reservoir to breathe whilst protecting it from contamination found in harsh environments

Features

- Available with 3 different cap diameters
- Screw-in version, equipped with male BSP thread (ISO 228) or male NPT thread (ANSI B1.20.1)
- Operating temperature range: -40 °C ... +120 °C / -40 °F ... +248 °F

Materials

- Made of non-corrosive materials
- Body and cap made of glass-fibre reinforced Polyamide (PA)
- Sealings made of NBR (Buna-N®)

Consult STAUFF for alternative materials.

Accessories / Options

- Pressurisation up to 0,7 bar / 10 PSI (not available for SPB 1)
- Air filter element
- Anti-splash feature
- Plastic dipstick with integrated anti-splash feature

Please see page E14 for details.

Maximum Air Flow Rate

- 0,15 m³/min / 5.30 cfm for SPB 1
- 0,40 m³/min / 14.13 cfm for SPB 2
- 1,00 m³/min / 35.31 cfm for SPB 3

Please see page E15 for detailed air flow curves.

Oil Displacement

- 150 l/min / 40 USGPM for SPB 1
- 400 l/min / 106 USGPM for SPB 2
- 1000 l/min / 264 USGPM for SPB 3

Installation

- Recommended mounting spaces: Ø48 mm / Ø1.89 in for SPB 1, Ø90 mm / Ø3.54 in for SPB 2, and Ø122 mm / Ø4.80 in for SPB 3

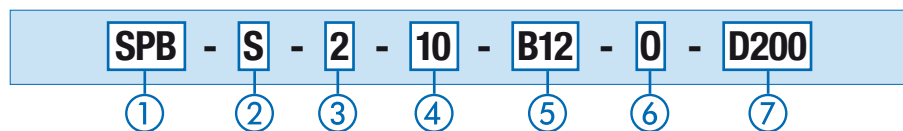
Thread Options

Thread	SPB 1	SPB 2	SPB 3	Code
Male BSP Thread (ISO 228)				
G1/4	●	○	○	B04
G3/8	●	●	○	B06
G1/2	●	●	●	B08
G3/4	○	●	●	B12
G1	○	○	●	B16

Thread	SPB 1	SPB 2	SPB 3	Code
Male NPT Thread (ANSI B1.20.1)				
1/4	●	○	○	N04
3/8	●	○	○	N06
1/2	●	○	○	N08
3/4	●	●	●	N12
1	○	○	●	N16

● Standard Option

Order Codes



1 Type

Plastic Filler Breather **SPB**

2 Pressurisation

Without pressurisation	S
Pressurised at 0,2 bar / 3 PSI	P1
Pressurised at 0,35 bar / 5 PSI	P2
Pressurised at 0,7 bar / 10 PSI	P3

Type SPB 1 is only available without pressurisation. Please see page E14 for details.

3 Version

Screw-in version; Cap diameter Ø45 mm (Ø1.77 in)	1
Screw-in version; Cap diameter Ø70 mm (Ø2.76 in)	2
Screw-in version; Cap diameter Ø101 mm (Ø3.98 in)	3

4 Air Filter Element (Material / Micron Rating)

Without air filter element	00
10 µm Foam / PUR (standard option)	10
40 µm Foam / PUR	40
3 µm Inorganic Glass-Fibre, pleated	E03
10 µm Filter Paper, pleated	L10

Options E03 and L10 are only available for type SPB 3. Consult STAUFF for alternative materials / micron ratings.

5 Connection Thread (Male)

G1/4 (for SPB 1 only)	B04
G3/8 (for SPB 1 and 2 only)	B06
G1/2 (for SPB 1, 2 and 3)	B08
G3/4 (for SPB 2 and 3 only)	B12
G1 (for SPB 3 only)	B16
1/4 NPT (for SPB 1 only)	N04
3/8 NPT (for SPB 1 only)	N06
1/2 NPT (for SPB 1 only)	N08
3/4 NPT (for SPB 1, 2 and 3)	N12
1 NPT (for SPB 3 only)	N16

6 Anti-Splash Feature

With anti-splash feature (standard option)	A
Without anti-splash feature	0

The anti-splash feature for the SPB 1, can only be achieved in conjunction with a dipstick, but is not available for the SPB 1 with connection sizes B04 and N04. Please see page E14 for details.

7 Dipstick

Plastic dipstick (200 mm / 7.88 in) with integrated anti-splash feature	D200
Plastic dipstick (300 mm / 11.81 in) with integrated anti-splash feature	D300
Without dipstick	-

A shorter dipstick length can be achieved by simply cutting down the total length according to individual requirements. Please see page E14 for details.