



Stainless Steel Ball Valve 2 Piece Full Bore – 1000 PSI Rated

Threaded Female BSP Parallel/BSP Taper/NPT

50 - 70 BAR Rated

Materials

Body	Investment Cast SS CF8M (316)
Ball	316 SS– Mirror Finish
Stem Seal	PTFE
Ball Seal	PTFE
Temp. Range	-20 TO +200°C
Handle	304 SS Lockable

Article no. BSP - parallel	Article no. BSP TAPER	Size BSP	Max Pressure BAR	Valve Bore
8103020	103020T	1/4"	70	10
8103021	103021T	3/8"	70	10
8103022	103022T	1/2"	70	15
8103023	103023T	3/4"	70	20
8103024	103024T	1"	70	25
8103025	103025T	1 1/4"	70	32
8103026	103026T	1 1/2"	70	38
8103027	103027T	2"	70	50
8103028		2 1/2"	50	65
8103029		3"	50	80
8103030		4"		

(We regret we cannot offer test certification for this series)

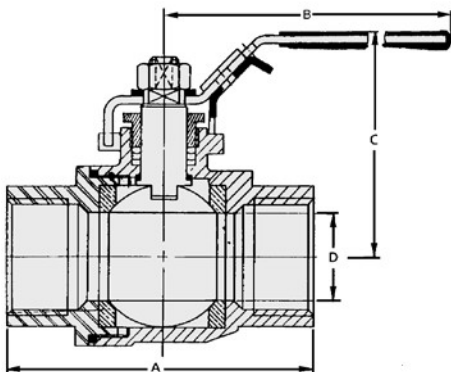
1000 PSI RATED – NPT

Article no. NPT	Size BSP	Max Pressure BAR	Valve Bore
103020N	1/4"	70	10
103021N	3/8"	70	10
103022N	1/2"	70	15
103023N	3/4"	70	20
103024N	1"	70	25
103025N	1 1/4"	70	32
103026N	1 1/2"	70	38
103027N	2"	70	50

Padlock

PAD2

Dimensions (mm)



BSP	A	B	C	D	kg
1/4"	61.5	96	43	11.6	0.285
3/8"	61.5	96	43	12.7	0.285
1/2"	63.3	96	45	15	0.430
3/4"	76.7	125	58	20	0.660
1"	91	125	70	25	0.895
1 1/4"	100	170	74	32	1.300
1 1/2"	118	170	85	38	2.100
2"	137.5	190	91	50	3.400
2 1/2"	166	250	128	65	7.000
3"	193	250	140	80	12.000