

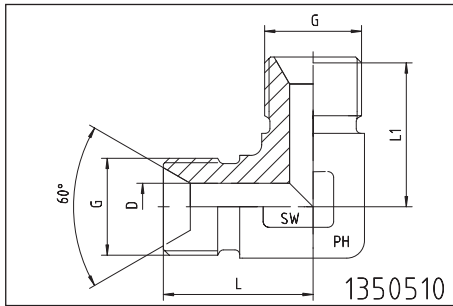
# WINKEL-ADAPTER



# ELBOW-ADAPTORS

männlich - BSP - BSP

male - BSP - BSP



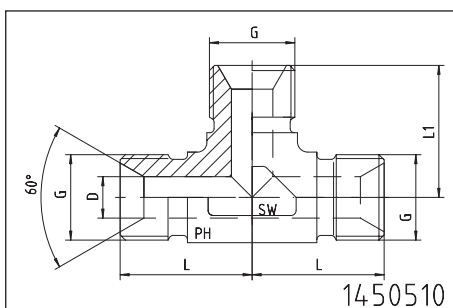
Gewinde Thread G	ca. Maße approx. dimensions				Bestellzeichen Order-Code
	L	L1	D	SW	
1/8"-28	20,0	20,0	4,0	12	1350510-02
1/4"-19	24,5	24,5	6,0	14	1350510-04
3/8"-19	25,5	25,5	8,0	17	1350510-06
1/2"-14	29,5	29,5	11,0	19	1350510-08
3/4"-14	37,0	37,0	16,0	27	1350510-12
1"-11	43,0	43,0	22,0	36	1350510-16
1 1/4"-11	51,0	51,0	28,5	41	1350510-20
1 1/2"-11	59,0	59,0	33,5	50	1350510-24
2"-11					1350510-32

# T-ADAPTER

# T-ADAPTORS

männlich - BSP - BSP - BSP

male - BSP - BSP - BSP



Gewinde Thread G	ca. Maße approx. dimensions				Bestellzeichen Order-Code
	L	L1	D	SW	
1/8"-28	20,0	20,0	4,0	12	1450510-02
1/4"-19	24,5	24,5	6,0	14	1450510-04
3/8"-19	25,5	25,5	8,0	17	1450510-06
1/2"-14	29,5	29,5	11,0	19	1450510-08
3/4"-14	37,0	37,0	16,0	27	1450510-12
1"-11	43,0	43,0	22,0	36	1450510-16
1 1/4"-11	51,0	51,0	28,5	41	1450510-20
1 1/2"-11	59,0	59,0	33,5	50	1450510-24
2"-11					1450510-32