

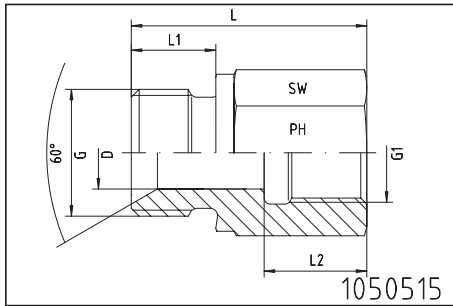
SECHSKANT-ADAPTER



HEXAGON-ADAPTORS

BSP-Außengewinde mit 60°-Konus
und Dichtkante Form B
BSP-Innengewinde

with 60°-cone
and sealing shoulder form B
BSP male - BSP female



Gewinde Thread		ca. Maße approx. dimensions						Bestellzeichen Order-Code
G = BSP	G1 = BSP	L	L1	L2	D	SW		
1/8"-28	1/8"-28	23,5	8	11,0	4,5	17	1050515-02-02	
1/4"-19	1/4"-19	32,0	10	17,0	6,0	19	1050515-04-04	
3/8"-19	3/8"-19	36,0	12	17,0	9,0	24	1050515-06-06	
1/2"-14	1/2"-14	39,0	14	20,0	12,0	27	1050515-08-08	
3/4"-14	3/4"-14	45,0	16	22,5	18,0	32	1050515-12-12	
1"-11	1"-11	49,5	18	24,5	22,0	41	1050515-16-16	
1 1/4"-11	1 1/4"-11	58,0	20	27,0	25,0	50	1050515-20-20	
1 1/2"-11	1 1/2"-11	58,0	22	27,5	37,0	55	1050515-24-24	
2"-11	2"-11	64,5	23	30,5	43,0	70	1050515-32-32	