

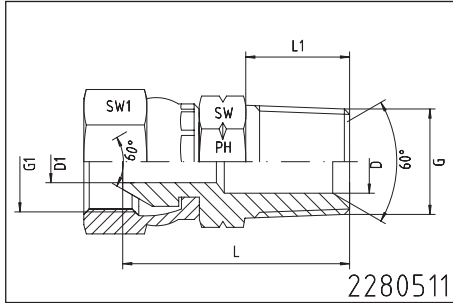
GERADE ADAPTER



STRAIGHT ADAPTORS

BSP - weiblich
mit drehbarer Mutter für 60°-Gegenanschluss
NPT - männlich

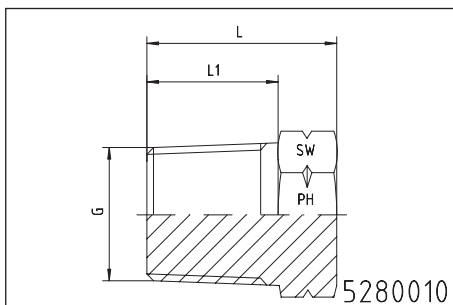
BSP - female
with swivel nut for 60°-connection
NPT - male



Gewinde Thread		ca. Maße approx. dimensions						Bestellzeichen Order-Code BSP x NPT	
G1 = BSP	G = NPT	L	L1	D	D1	SW	SW1		
1/8"-28	1/8"-27		10,0					2280511-02-02	
1/4"-19	1/4"-18	32,0	15,0	7,0	5,0	14	19	2280511-04-04	
3/8"-19	3/8"-18	33,0	15,3	10,0	8,0	19	22	2280511-06-06	
1/2"-14	1/2"-14	42,0	20,0	13,5	9,5	22	27	2280511-08-08	
3/4"-14	3/4"-14	43,0	20,0	16,5	16,5	27	32	2280511-12-12	
1"-11	1"-11	49,5	25,0	24,0	21,0	36	41	2280511-16-16	
1 1/4"-11	1 1/4"-11,5	53,0	25,5	28,0	28,0	46	50	2280511-20-20	
1 1/2"-11	1 1/2"-11,5	57,0	26,0	32,5	32,5	50	55	2280511-24-24	
2"-11	2"-11,5		26,0			65	70	2280511-32-32	
3/8"-19	1/4"-18	33,6	15,0	7,0	7,0	17	22	2280511-06-04	
1/4"-19	3/8"-18	32,0	15,3	10,3	5,0	19	19	2280511-04-06	
1/2"-14	3/8"-18	34,8	15,3	10,3	9,5	19	27	2280511-08-06	
3/8"-19	1/2"-14	40,8	20,0	13,5	8,0	22	22	2280511-06-08	
1/2"-14	3/4"-14	41,0	20,0	16,5	9,5	27	27	2280511-08-12	
3/4"-14	1"-11,5		25,0			36	32	2280511-12-16	

VERSCHLUSS-STOPFEN - NPT

NPT-PLUG



Gewinde Thread	ca. Maße approx. dimensions			Bestellzeichen Order-Code
G = NPT	L	L1	SW	
1/8"-27	15	10,0	12	5280010-02
1/4"-18	20	15,0	14	5280010-04
3/8"-18	22	15,3	17	5280010-06
1/2"-14	27	20,0	22	5280010-08
3/4"-14	29	20,0	27	5280010-12
1"-11,5	33	25,0	36	5280010-16
1 1/4"-11,5	33	25,5	46	5280010-20
1 1/2"-11,5	41	26,0	50	5280010-24
2"-11,5	44	26,0	65	5280010-32