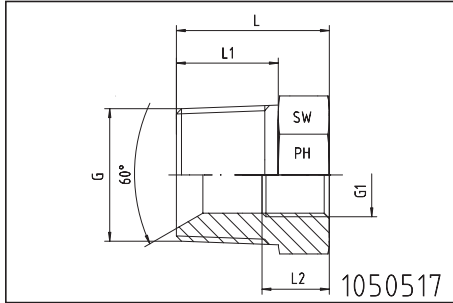


NPT-Außengewinde  
mit 60°-Konus  
BSP-Innengewinde

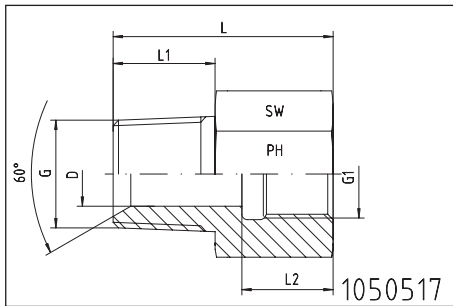
NPT - male  
with 60°-cone  
BSP - female



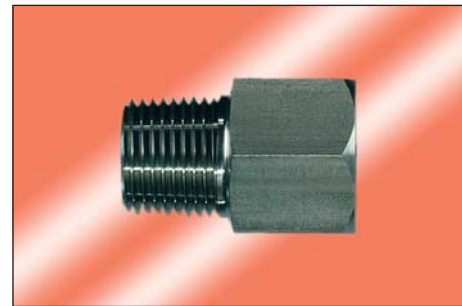
Form: A



Form: A



Form: B



Form: B

Gewinde Thread		ca. Maße approx. dimensions						Form Form	Bestellzeichen Order-Code
G = NPT	G1 = BSP	L	L1	L2	D	SW			
1/8"-27	1/8"-28	25,0	10,0	12,0	4	14	B	1050517-02-02	
1/8"-27	1/4"-19	30,0	10,0	17,0	4	19	B	1050517-02-04	
1/4"-18	1/8"-28	30,0	15,0	12,0	6	14	B	1050517-04-02	
1/4"-18	1/4"-19	34,0	15,0	17,0	6	19	B	1050517-04-04	
1/4"-18	3/8"-19	35,0	15,0	17,0	6	24	B	1050517-04-06	
1/4"-18	1/2"-14	36,5	15,0	20,0	5	27	B	1050517-04-08	
3/8"-18	1/4"-19	35,0	15,0	17,0	9	19	B	1050517-06-04	
3/8"-18	3/8"-19	35,0	15,0	17,0	9	24	B	1050517-06-06	
3/8"-18	1/2"-14	37,0	15,0	20,0	9	27	B	1050517-06-08	
1/2"-14	1/4"-19	27,0	20,0	17,0	13	24	A	1050517-08-04	
1/2"-14	3/8"-19	38,0	20,0	17,0	12	24	B	1050517-08-06	
1/2"-14	1/2"-14	41,0	20,0	20,0	12	27	B	1050517-08-08	
1/2"-14	3/4"-14	48,0	20,0	22,5	12	32	B	1050517-08-12	
3/4"-14	3/8"-19	28,0	20,0	17,0	15	27	A	1050517-12-06	
3/4"-14	1/2"-14	42,0	20,0	20,0	15	27	B	1050517-12-08	
3/4"-14	3/4"-14	48,0	20,0	22,5	18	32	B	1050517-12-12	
3/4"-14	1"-11						B	1050517-12-16	
1"-11,5	1/2"-14	34,0	25,0	20,0	19	36	A	1050517-16-08	
1"-11,5	3/4"-14	54,0	25,0	22,5	21	36	B	1050517-16-12	
1"-11,5	1"-11	57,0	25,0	25,0	21	41	B	1050517-16-16	
1"-11,5	1 1/4"-11						B	1050517-16-20	
1 1/4"-11,5	3/4"-14						A	1050517-20-12	
1 1/4"-11,5	1"-11						B	1050517-20-16	
1 1/4"-11,5	1 1/4"-11	55,0	25,5	27,0	30	55	B	1050517-20-20	
1 1/4"-11,5	1 1/2"-11						B	1050517-20-24	
1 1/2"-11,5	1"-11						A	1050517-24-16	
1 1/2"-11,5	1 1/4"-11						B	1050517-24-20	
1 1/2"-11,5	1 1/2"-11	63,0	26,0	27,5	36	55	B	1050517-24-24	
1 1/2"-11,5	2"-11						B	1050517-24-32	