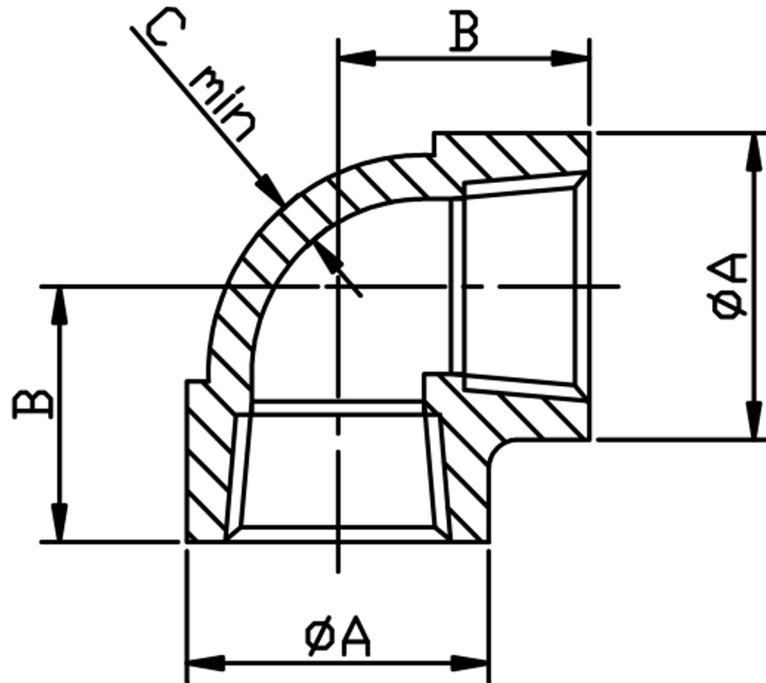


# 90° ELBOW NPT 316L



SIZE	PART No	A	B	C	Kg/100
1/4	3E04N	25	25	3.5	14.0
3/8	3E06N	33	29	3.5	27.3
1/2	3E08N	38	33	4.0	45.9
3/4	3E12N	46	38	4.5	65.9
1	3E16N	56	44	5.0	111.7
1-1/4	3E20N	62	51	5.5	127.8
1-1/2	3E24N	75	60	5.5	245.6
2	3E32N	84	64	7.0	270.0

\*NPT threaded to ANSI B2.1

\*Dimensions to ANSI B16.11/BS3799

\*3000 LB rating

\*Sizes 1/8" to 2"

\*316L stainless steel

\*Larger sizes are available