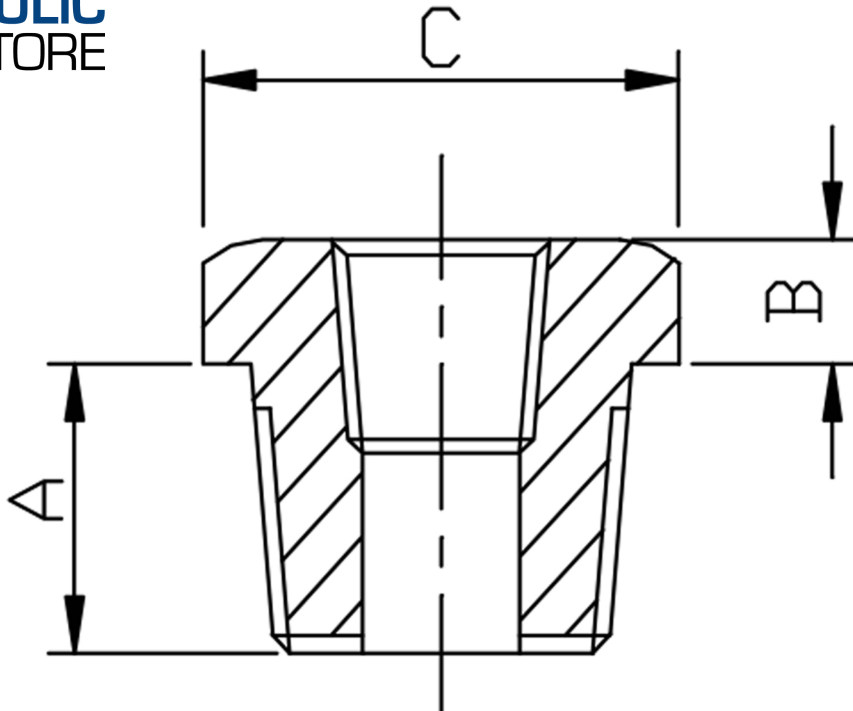


# 6K REDUCING BUSH NPT 316L



SIZE	PART No	A	B	C	Kg/100
1/4 X 1/8	<b>3RB0402N</b>	13	3	16	1.9
3/8 X 1/8	<b>3RB0602N</b>	13	4	18	2.8
3/8 X 1/4	<b>3RB0604N</b>	13	4	18	2.2
1/2 X 1/4	<b>3RB0804N</b>	16	5	22	4.1
1/2 X 3/8	<b>3RB0806N</b>	16	5	22	3.1
3/4 X 3/8	<b>3RB1206N</b>	18	6	28	6.5
3/4 X 1/2	<b>3RB1208N</b>	18	6	28	5.6
1 X 3/8	<b>3RB1606N</b>	21	6	35	14.0
1 X 1/2	<b>3RB1608N</b>	21	6	35	13.6
1 X 3/4	<b>3RB1612N</b>	21	6	35	9.5
1-1/4 X 1/2	<b>3RB2008N</b>	22	7	47	20.0
1-1/4 X 3/4	<b>3RB2012N</b>	22	7	47	19.4
1-1/4 X 1	<b>3RB2016N</b>	22	7	47	18.4
1-1/2 X 3/4	<b>3RB2412N</b>	22	8	52	30.0
1-1/2 X 1	<b>3RB2416N</b>	22	8	52	28.6
1-1/2 X 1-1/4	<b>3RB2420N</b>	22	8	52	26.0
2 X 1	<b>3RB3216N</b>	24	9	64	45.0
2 X 1-1/4	<b>3RB3220N</b>	24	9	64	42.0
2 X 1-1/2	<b>3RB3224N</b>	24	9	64	39.0

\*NPT threaded to ANSI B2.1

\*Dimensions to ANSI B16.11/BS3799

\*6000 LB rating

\*Sizes 1/8" to 2"

\*316L stainless steel

\*Larger sizes are available