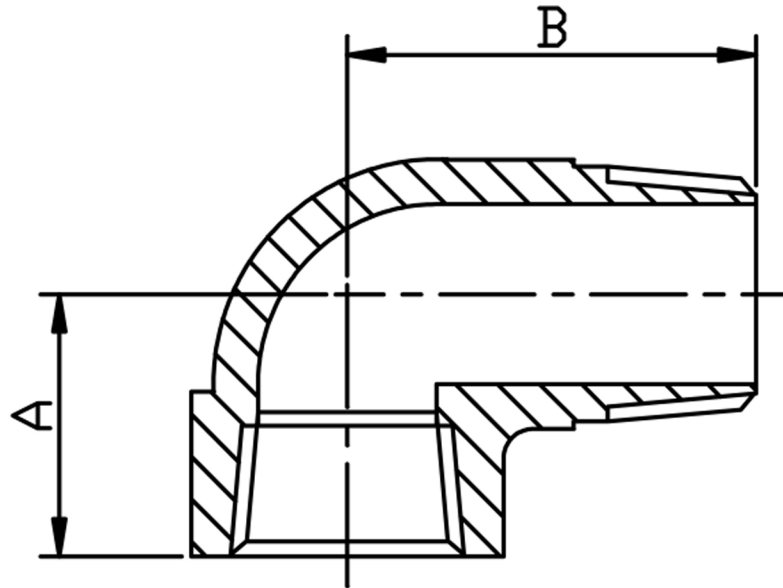




HYDRAULIC
MEGASTORE



SIZE	PART No	A	B	Kg/100
1/4	3SE04N	25	32	15.2
3/8	3SE06N	30	39	24.9
1/2	3SE08N	34	44	32.4
3/4	3SE12N	38	49	50.4
1	3SE16N	47	59	77.2
1-1/4	3SE20N	53	65	103.0
1-1/2	3SE24N	62	75	137.0
2	3SE32N	68	83	236.0

*NPT threaded to ANSI B2.1

*Dimensions to ANSI B16.11/BS3799

*3000 LB rating

*Sizes 1/4" to 2"

*316L stainless steel

*Larger sizes are available