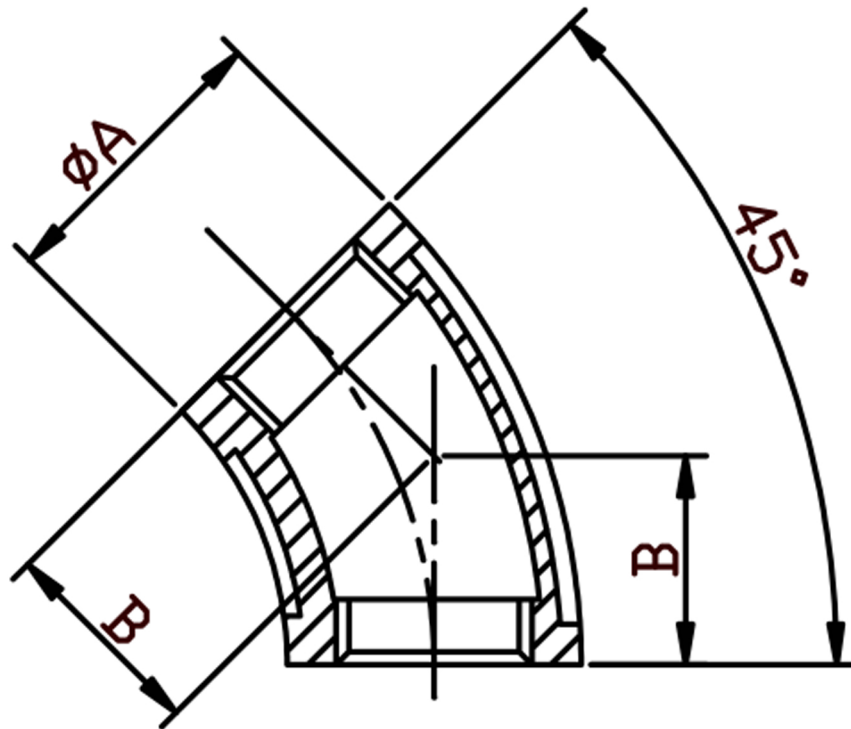




# HYDRAULIC MEGASTORE



SIZE	PART No	A	B	Kg/100
1/8	EA02N	16.5	17.7	3.50
1/4	EA04N	21	18.6	4.85
3/8	EA06N	25	20.5	6.65
1/2	EA08N	29.5	22.5	7.60
3/4	EA12N	37	25	10.90
1	EA16N	45	28.2	17.85
1-1/4	EA20N	54.2	32.2	25.60
1-1/2	EA24N	59	36.4	35.25
2	EA32N	75	42	51.05
2-1/2	EA40N	86.5	47	80.20
3	EA48N	108.5	52	135.80
4	EA64N	136	63	209.00

\*Pressure rating up to 20 BAR (300 PSI)

\*Threads are NPT to ANSI B2.1

\*316 CF8M stainless steel

\*Investment castings

\*Sizes 1/8" to 4"