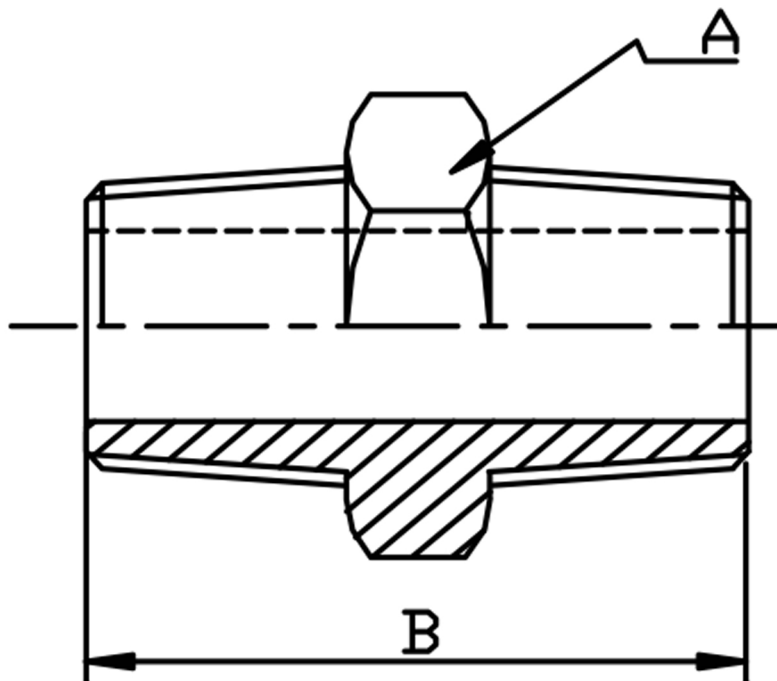




HYDRAULIC MEGASTORE



SIZE	PART No	A	B	Kg/100
1/8	HN02N	10	29.5	1.65
1/4	HN04N	14.6	28	1.90
3/8	HN06N	18.1	31	2.65
1/2	HN08N	22.4	33.5	5.05
3/4	HN12N	28	38	8.20
1	HN16N	35	41.5	12.30
1-1/4	HN20N	44	48.5	18.50
1-1/2	HN24N	50	48.5	22.15
2	HN32N	62	57	33.30
2-1/2	HN40N	78	67	50.63
3	HN48N	91	75	72.83
4	HN64N	116	81	118.00

*Pressure rating up to 20 BAR (300 PSI)

*Threads are NPT to ANSI B2.1

*316 CF8M stainless steel

*Investment castings

*Sizes 1/8" to 4"