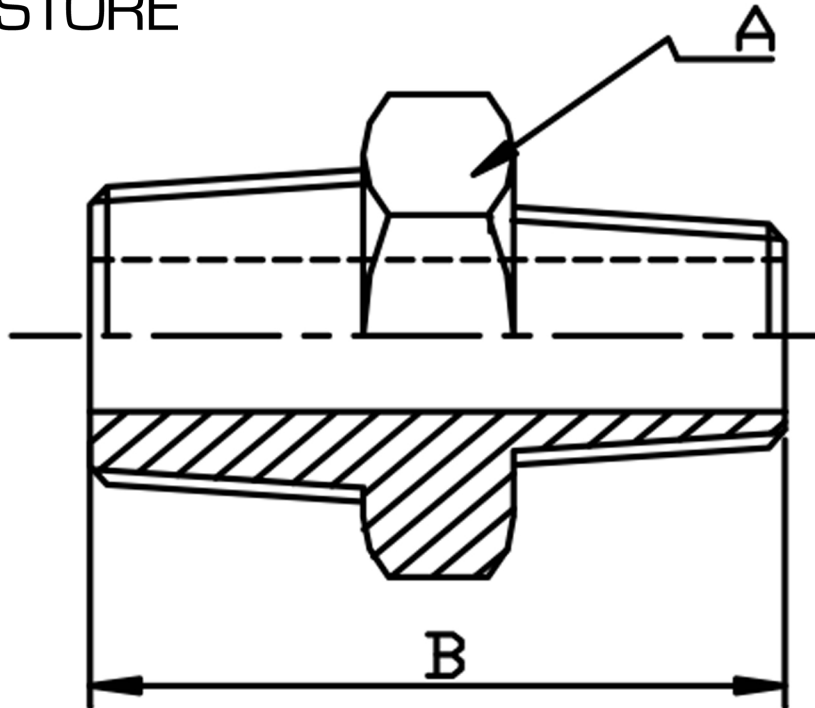




**HYDRAULIC
MEGASTORE**



SIZE	PART No	A	B	Kg/100
1/4 X 1/8	RN0402N	14.5	10.5	1.38
3/8 X 1/4	RN0604N	18	26.5	2.54
1/2 X 1/4	RN0804N	21.4	30	3.60
1/2 X 3/8	RN0806N	21.4	30	3.66
3/4 X 1/4	RN1204N	27	31.5	5.25
3/4 X 3/8	RN1206N	27	32	5.37
3/4 X 1/2	RN1208N	27	35.5	6.01
1 X 1/2	RN1608N	34	38.5	9.21
1 X 3/4	RN1612N	34	39.5	9.87
1-1/4 X 1	RN2016N	42.7	45	15.58
1-1/2 X 3/4	RN2412N	48.6	42.5	16.44
1-1/2 X 1	RN2416N	48.6	45	18.05
1-1/2 X 1-1/4	RN2420N	48.6	47.5	19.32
2 X 1	RN3216N	60.5	49	26.96
2 X 1-1/4	RN3220N	60.5	51.5	28.35
2 X 1-1/2	RN3224N	60.5	51.5	28.46
2-1/2 X 2	RN4032N	78	59	47.79
3 X 2	RN4832N	91	62.5	65.62
3 X 2-1/2	RN4840N	91	64.5	65.55
4 X 3	RN6448N	116	74	112.31

*Pressure rating up to 20 BAR (300 PSI)

*Threads are NPT to ANSI B2.1

*316 CF8M stainless steel

*Investment castings

*Sizes 1/8" to 4"