

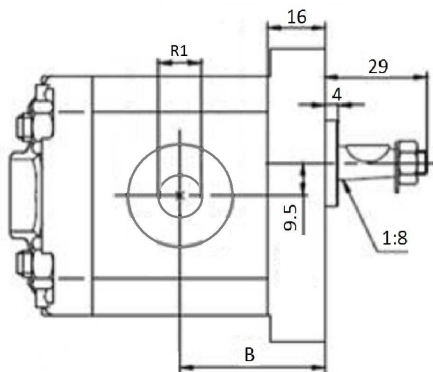
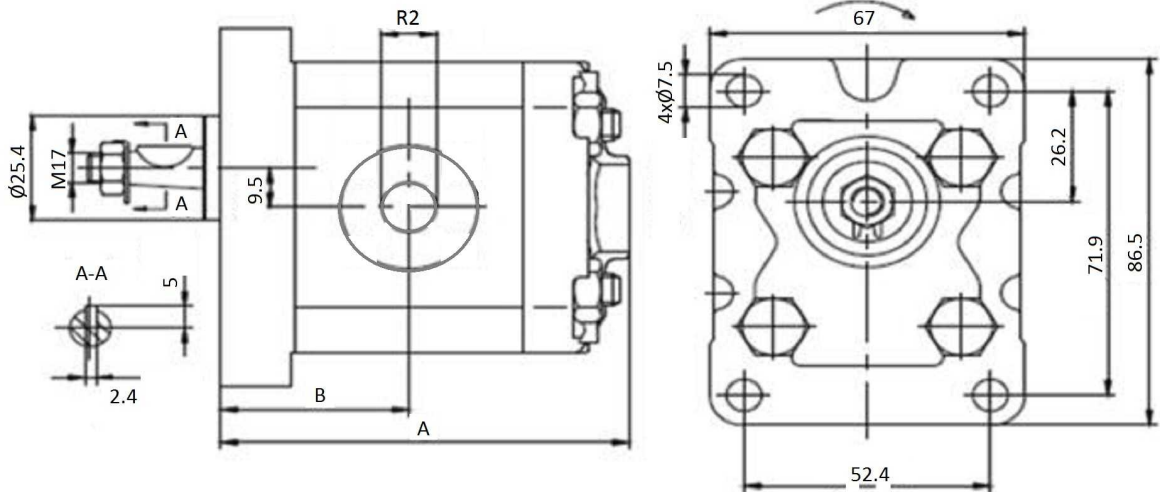
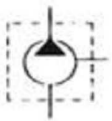


Gear Pumps

Gear pumps Group I Left

Eur.cover/Threaded fl./Conical 1:8 Gr.I

Page: 1/2



Rotation reference: BTD...I=Rotation left
 BTD...D=Rotation right
 Min 600 rpm

Part nº	R1	R2	Max. Press. (bar)	Max. Peak press.	R.P.M.	cm ³ / rev	A	B
BTD111I01	3/8" BSP	3/8" BSP	250	300	6000	1,1	75	33
BTD116I01	3/8" BSP	3/8" BSP	250	300	6000	1,6	78	35
BTD118I01	3/8" BSP	3/8" BSP	250	300	6000	1,8	78,5	35,5
BTD127I01	3/8" BSP	3/8" BSP	250	300	6000	2,7	81	37
BTD132I01	3/8" BSP	3/8" BSP	250	300	5000	3,2	83	38
BTD137I01	3/8" BSP	3/8" BSP	250	300	4500	3,7	85	39
BTD148I01	3/8" BSP	3/8" BSP	200	250	4000	4,8	89	41
BTD158I01	1/2" BSP	3/8" BSP	200	250	3500	5,8	93	43



Gear Pumps

Gear pumps Group I Left

Eur.cover/Threaded fl./Conical 1:8 Gr.I

Page: 2/2

Part nº	R1	R2	Max. Press. (bar)	Max. Peak press.	R.P.M.	cm ³ / rev	A	B
BTD163I01	1/2" BSP	3/8" BSP	200	250	2900	6,3	97	45
BTD180I01	1/2" BSP	3/8" BSP	200	250	2100	8	101	47

*R.P.M.=Máx. speed
R1 = air intake, R2 = pressure