

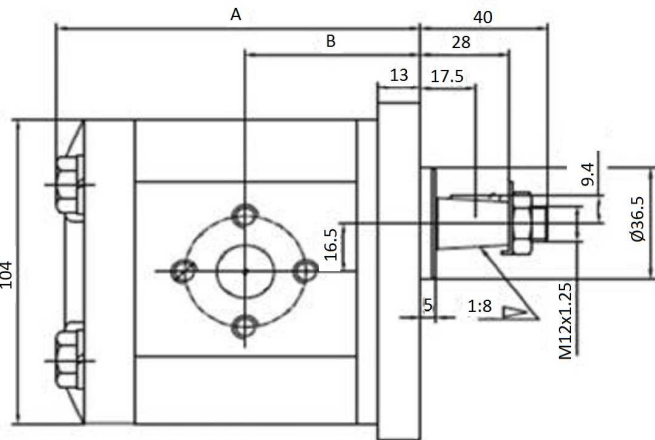
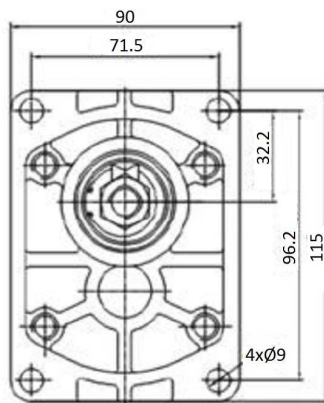


Gear Pumps

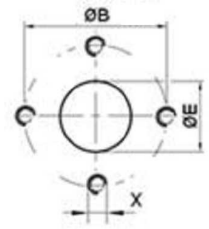
Gear pumps Group II Left

Eur.Cover/Eur.Stand.Fl./Conical 1:8 Gr.II

Page: 1/1



Aspiración/Aspiration/
Air intake/Aspirazione



Presión/Pression/
Pressure/Pressione

Pressure: ØE = 13; X = M6

Rotation reference: BTD...I = Left; BTD...D = Right

Min 500 rpm

Part nº	Ø ASPIRATION (mm)	Ø PRESSURE (mm)	Max. Press. (bar)	Max. Peak press.	R.P.M.	cm ³ / rev	ØA	ØB	ØD	A	B	W
BTD240I02	30	30	250	300	3500	4	30	30	13	95,5	43,3	M6
BTD260I02	30	30	250	300	3500	6	30	30	13	99	45	M6
BTD280I02	30	30	250	300	3500	8	30	30	13	102	46,5	M6
BTD2100I02	30	30	250	300	3500	10	30	30	20	108	49,5	M6
BTD2120I02	30	30	250	300	3500	12	40	30	20	108	49,5	M6
BTD2140I02	40	30	250	300	3500	14	40	30	20	111	51	M8
BTD2160I02	40	30	250	280	3500	16	40	30	20	114	52,5	M8
BTD2200I02	40	30	250	280	3500	20	40	30	20	121	56	M8
BTD2230I02	40	30	200	250	3000	23	40	30	20	125,5	58,3	M8
BTD2250I02	40	30	200	250	3000	25	40	30	20	128	59,5	M8
BTD2280I02	40	30	160	200	3000	28	40	30	20	133	62	M8
BTD2300I02	40	30	160	200	3000	30	40	30	20	136	63,5	M8