

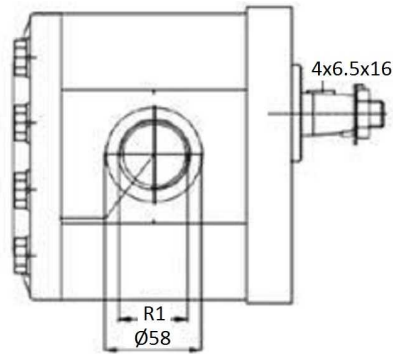
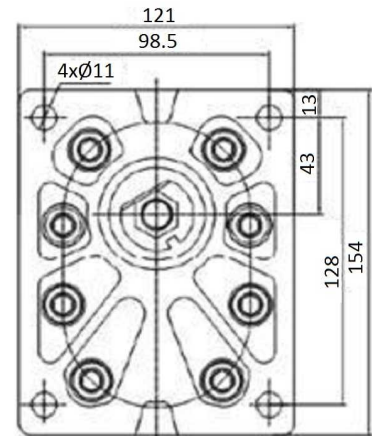
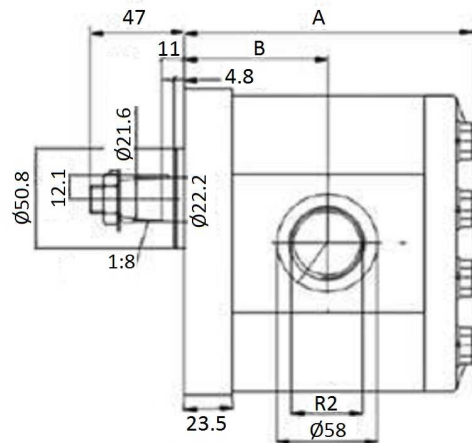


Gear Pumps

Gear pumps Group III Left

Eur.Cover/Threaded fl./Conical 1:8 Gr.III

Page: 1/2



Rotation reference: BTD...I=Rotation left
 BTD...D=Rotation right
 Min 400 rpm

Part n°	R1	R2	Max. Press. (bar)	Max. Peak press.	R.P.M.	cm ³ / rev	A	B
BTD3220I01	3/4" BSP	3/4" BSP	200	250	3000	22	130,5	63,5
BTD3260I01	3/4" BSP	3/4" BSP	200	250	3000	26	133,5	65
BTD3280I01	1" BSP	3/4" BSP	200	250	3000	28	134,5	65,5
BTD3320I01	1" BSP	3/4" BSP	200	250	3000	32	137,5	67
BTD3360I01	1" BSP	3/4" BSP	200	250	3000	36	140,5	68,5
BTD3420I01	1" BSP	3/4" BSP	200	250	2800	42	144,5	70,5
BTD3460I01	1" BSP	3/4" BSP	200	250	2400	46	147,5	72
BTD3500I01	1" BSP	3/4" BSP	200	250	2400	50	150	73,5



Gear Pumps

Gear pumps Group III Left

Eur.Cover/Threaded fl./Conical 1:8 Gr.III

Page: 2/2

Part n°	R1	R2	Max. Press. (bar)	Max. Peak press.	R.P.M.	cm ³ / rev	A	B
BTD3550I01	1" BSP	3/4" BSP	200	250	2400	55	153,5	75

R1 = aspiration; R2 = pressure