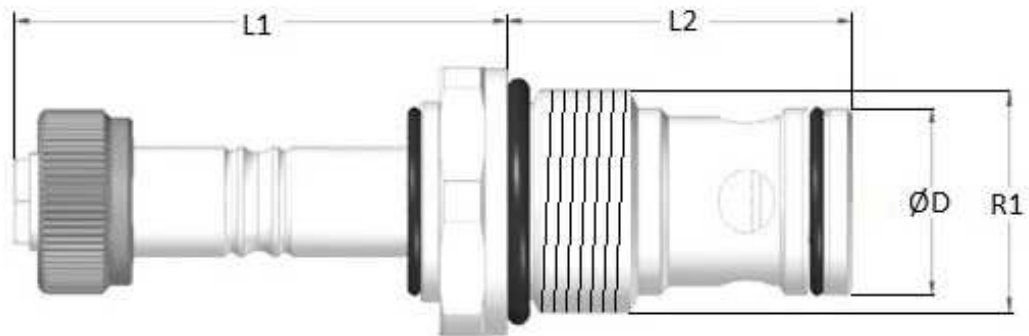
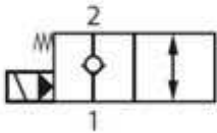




Hydraulic valves

Hydraulic valves with electric drive

Cartridge valve normally closed



Part n°	R1	Size	Max. flow (l/min)	Max. Press. (bar)	L1	L2	ØD
VENC08F	3/4-16UNF	SAE08	40	350	59,5	27,5	12.7
VENC10F	7/8-14UNF	SAE10	60	350	77	31,2	15.88
VENC12F	1"1/16-12UNF	SAE12	150	350	64	46	22.22