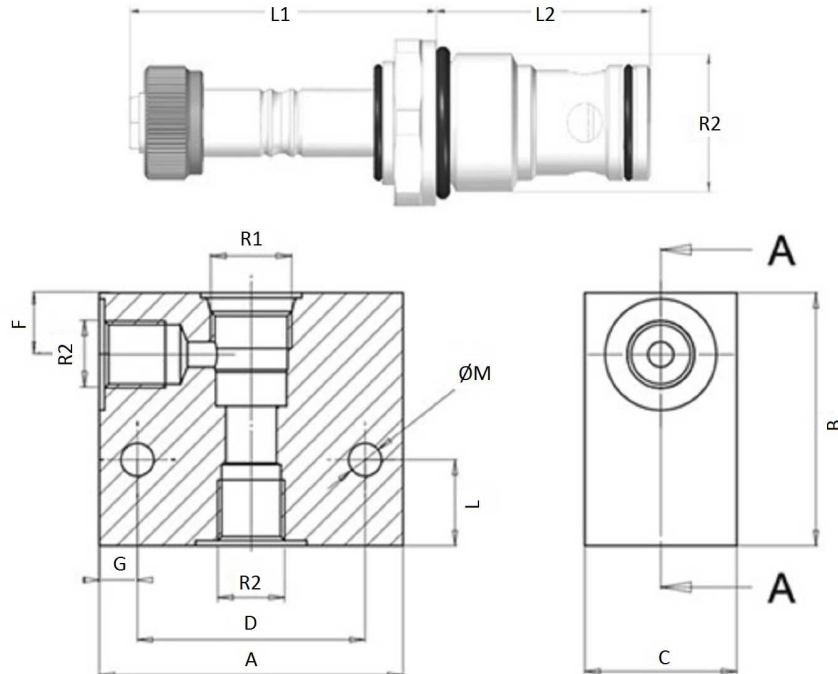
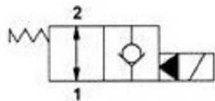


Hydraulic valves

Hydraulic valves with electric drive

Normally open 2 ways valve

Page: 1/1



Materials: body in aluminium

Max.pressure: 250 bar

Dimensions: VCF38: Assembled total height: 109 mm
VCF12: Assembled total height: 132,4 mm
VCF34: Assembled total height: 138 mm

| Part n° | R1 | R2 | Voltage (V) | Max. flow (l/min) | L1 | L2 | ØM | A | B | C | D | F | G | L |
|--------------|-----------------|----------|-------------|-------------------|------|------|-----|----|----|----|----|------|-----|----|
| VCF38NA12CC | 3/4"-16 UNF-2A | 3/8" BSP | 12CC | 40 | 60 | 27,5 | 6,5 | 60 | 50 | 30 | 45 | 14 | 7,5 | 15 |
| VCF38NA24CC | 3/4"-16 UNF-2A | 3/8" BSP | 24CC | 40 | 60 | 27,5 | 6,5 | 60 | 50 | 30 | 45 | 14 | 7,5 | 15 |
| VCF38NA220CC | 3/4"-16 UNF-2A | 3/8" BSP | 220VDC | 40 | 60 | 27,5 | 6,5 | 60 | 50 | 30 | 45 | 14 | 7,5 | 15 |
| VCF12NA12CC | 7/8"-14UNF-2A | 1/2" BSP | 12CC | 60 | 72,9 | 32 | 6,5 | 60 | 50 | 30 | 45 | 17,5 | 7,5 | 15 |
| VCF12NA24CC | 7/8"-14UNF-2A | 1/2" BSP | 24CC | 60 | 72,9 | 32 | 6,5 | 60 | 50 | 30 | 45 | 17,5 | 7,5 | 15 |
| VCF12NA220CC | 7/8"-14UNF-2A | 1/2" BSP | 220CC | 60 | 72,9 | 32 | 6,5 | 60 | 50 | 30 | 45 | 17,5 | 7,5 | 15 |
| VCF34NA12CC | 1"1/16-16UNF-2A | 3/4" BSP | 12CC | 150 | 65,8 | 46 | 6,5 | 70 | 70 | 50 | 54 | 26 | 8 | 15 |
| VCF34NA24CC | 1"1/16-16UNF-2A | 3/4" BSP | 24CC | 150 | 65,8 | 46 | 6,5 | 70 | 70 | 50 | 54 | 26 | 8 | 15 |
| VCF34NA220CC | 1"1/16-16UNF-2A | 3/4" BSP | 220VDC | 150 | 65,8 | 46 | 6,5 | 70 | 70 | 50 | 54 | 26 | 8 | 15 |