

# HMC HYDRAULIC CYLINDERS

DOUBLE / SINGLE\* ACTING HYDRAULIC CYLINDER (\*=S/A WITH USE OF A BREATHER)

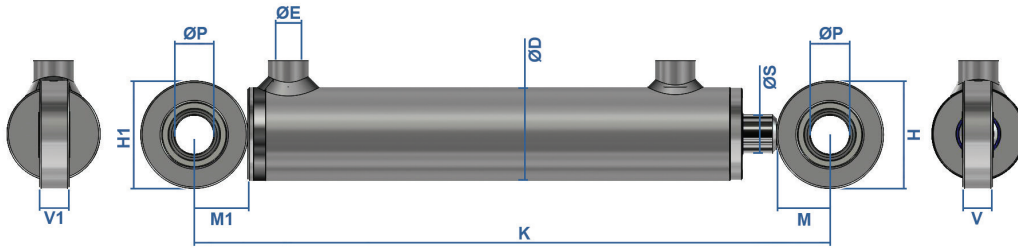
MAX PRESSURE = 210 BAR (CONTINUOUS) ► 250 BAR (INTERMITTENT)

MAX SPEED = 0.5 M/S

OPERATING TEMPERATURE (°C) = +80°C ► -25°C

TUBE MATERIAL = STEEL - ST52.3 - DIN2393 - ISO H9

ROD MATERIAL = STEEL - UNI C45 (SAE 1045) - 25 MICRON (±5) - EN8 GRADE

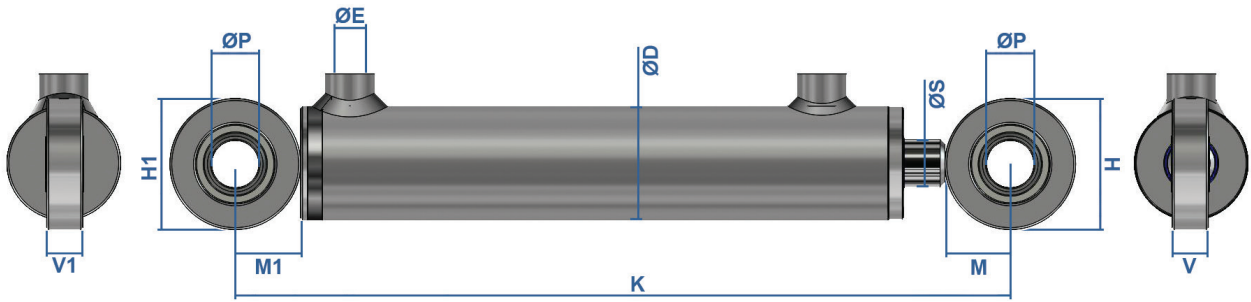


ORDER CODE	BORE Ø(mm)	D Ø(mm)	S Ø(mm)	K (mm)	STROKE (mm)	E Ø(bsp)	M (mm)	M1 (mm)	P Ø(mm)	H (mm)	H1 (mm)	V (mm)	V1 (mm)	WEIGHT (kgs)
HMC032200050	32	42	20	195	50	1/4"	20	20	15	40	40	12	12	1.46
HMC032200100				245	100									1.76
HMC032200150				295	150									2.11
HMC032200200				345	200									2.46
HMC032200250				395	250									4.86
HMC032200300				445	300									3.16
HMC032200400				545	400									3.86
HMC032200500				645	500									4.56
HMC1200100	40	50	20	280	100	1/4"	25	25	20	50	50	16	16	2.53
HMC1200150				330	150									2.93
HMC1200200				380	200									3.31
HMC1200250				430	250									3.71
HMC1200300				480	300									4.11
HMC1200350				530	350									4.53
HMC1200400				580	400									4.91
HMC1200450				630	450									5.34
HMC1200500	680	500	5.75											
HMC1250100	40	50	25	280	100	1/4"	25	25	20	50	50	16	16	2.76
HMC1250150				330	150									3.21
HMC1250200				380	200									3.65
HMC1250250				430	250									4.11
HMC1250300				480	300									4.58
HMC1250350				530	350									5.05
HMC1250400				580	400									5.52
HMC1250450				630	450									5.98
HMC1250500	680	500	6.46											
HMC1250550	730	550	6.86											
HMC1250600	780	600	7.39											
HMC2250100	50	60	25	309	100	3/8"	34.5	34.5	25	69	69	20	20	4.04
HMC2250150				359	150									4.58
HMC2250200				409	200									5.09
HMC2250250				459	250									5.6
HMC2250300				509	300									6.1
HMC2250350				559	350									6.69
HMC2250400				609	400									7.15
HMC2250450				659	450									8.05
HMC2250500	709	500	8.18											

# HMC HYDRAULIC CYLINDERS

ORDER CODE	BORE Ø(mm)	D Ø(mm)	S Ø(mm)	K (mm)	STROKE (mm)	E Ø(bsp)	M (mm)	M1 (mm)	P Ø(mm)	H (mm)	H1 (mm)	V (mm)	V1 (mm)	WEIGHT (kgs)
HMC2250550	50	60	25	759	550	3/8"	34.5	34.5	25	69	69	20	20	8.81
HMC2250600				809	600									9.21
<b>NEW!</b> HMC2250700				909	700									10.65
HMC2250800				1009	800									11.46
HMC2251000				1209	1000									13.62
<b>NEW!</b> HMC2300100	50	60	30	309	100	3/8"	34.5	34.5	25	69	69	20	20	4.44
HMC2300150				359	150									4.86
HMC2300200				409	200									5.49
HMC2300250				459	250									6.1
HMC2300300				509	300									6.72
HMC2300350				559	350									7.3
HMC2300400				609	400									7.95
HMC2300450				659	450									8.55
HMC2300500				709	500									9.17
HMC2300550				759	550									9.79
HMC2300600				809	600									10.39
HMC2300700				909	700									11.6
HMC2300800				1009	800									12.85
HMC2301000				1209	1000									15.32
HMC3300100				60	70									30
HMC3300150	379	150	6.3											
HMC3300200	429	200	6.95											
HMC3300250	479	250	7.62											
HMC3300300	529	300	8.3											
HMC3300350	579	350	8.95											
HMC3300400	629	400	9.65											
HMC3300450	679	450	10.28											
HMC3300500	729	500	11											
HMC3300550	779	550	11.61											
HMC3300600	829	600	12.35											
<b>NEW!</b> HMC3300700	929	700	14.04											
HMC3300800	1029	800	15.01											
HMC3301000	1229	1000	17.75											
HMC3350100	60	70	35			329	100	3/8"	34.5	34.5	25	69	69	
HMC3350150				379	150	6.6								
HMC3350200				429	200	7.35								
HMC3350250				479	250	8.15								
HMC3350300				529	300	8.9								
HMC3350350				579	350	9.69								
HMC3350400				629	400	10.47								
HMC3350450				679	450	11.22								
HMC3350500				729	500	12								
HMC3350550				779	550	12.75								
HMC3350600				829	600	13.56								
<b>NEW!</b> HMC3350700				929	700	15.48								
HMC3350800				1029	800	16.62								
HMC3351000				1229	1000	19.68								
HMC3400200				60	70	40	429							200
HMC3400250	479	250	8.89											
HMC3400300	529	300	9.78											

# HMC HYDRAULIC CYLINDERS



ORDER CODE	BORE Ø(mm)	D Ø(mm)	S Ø(mm)	K (mm)	STROKE (mm)	E Ø(bsp)	M (mm)	M1 (mm)	P Ø(mm)	H (mm)	H1 (mm)	V (mm)	V1 (mm)	WEIGHT (kgs)
HMC3400350	60	70	40	579	350	3/8"	34.5	34.5	25	69	69	20	20	10.95
HMC3400400				629	400									11.84
HMC3400450				679	450									12.73
HMC3400500				729	500									13.63
HMC3400550				779	550									14.2
HMC3400600				829	600									15.05
<b>NEW!</b> HMC3400700				929	700									17.28
HMC3400800				1029	800									18.57
HMC3401000				1229	1000									22.15
HMC063400200				63	73									40
HMC063400250	479	250	9.26											
HMC063400300	529	300	10.16											
HMC063400350*	579	350	11.06											
HMC063400400	629	400	11.96											
HMC063400450*	679	450	12.86											
HMC063400500	729	500	13.76											
HMC063400550*	779	550	14.66											
HMC063400600	829	600	15.56											
<b>NEW!</b> HMC063400700	929	700	17.68											
HMC063400800	1029	800	19.26											
HMC063401000	1229	1000	22.86											
HMC4350100	70	80	35	335	100	3/8"	37.5	37.5	30	75	75	22	22	6.97
HMC4350150				385	150									7.83
HMC4350200				435	200									8.62
HMC4350250				485	250									9.48
HMC4350300				535	300									10.28
HMC4350350				585	350									11.14
HMC4350400				635	400									11.88
HMC4350450				685	450									12.76
HMC4350500				735	500									13.48
HMC4350550				785	550									14.54
HMC4350600	835	600	15.08											
<b>NEW!</b> HMC4350700	935	700	17.43											
HMC4350800	1035	800	18.44											
HMC4351000	1235	1000	22.14											
<b>NEW!</b> HMC4400100	70	80	40	335	100	3/8"	37.5	37.5	30	75	75	22	22	7.76
<b>NEW!</b> HMC4400150				385	150									8.71
HMC4400200				435	200									9.16
HMC4400250				485	250									10.14
HMC4400300				535	300									11.12
HMC4400350				585	350									12.08

# HMC HYDRAULIC CYLINDERS

ORDER CODE	BORE Ø(mm)	D Ø(mm)	S Ø(mm)	K (mm)	STROKE (mm)	E Ø(bsp)	M (mm)	M1 (mm)	P Ø(mm)	H (mm)	H1 (mm)	V (mm)	V1 (mm)	WEIGHT (kgs)
HMC4400400	70	80	40	635	400	3/8"	37.5	37.5	30	75	75	22	22	13.68
HMC4400450				685	450									13.99
HMC4400500				735	500									14.89
HMC4400550				785	550									15.98
HMC4400600				835	600									16.87
<b>NEW!</b> HMC4400700				935	700									19.20
HMC4400800				1035	800									20.61
HMC4401000				1235	1000									24.39
HMC5400200				80	92									40
HMC5400250	524	250	13.87											
HMC5400300	574	300	15											
HMC5400400	674	400	17.21											
HMC5400500	774	500	19.42											
HMC5400600	874	600	21.63											
<b>NEW!</b> HMC5400700	974	700	24.80											
HMC5400800	1074	800	26.15											
HMC5401000	1274	1000	30.57											
HMC5500200	80	92	50	474	200	1/2"	47	47	40	94	94	28	28	14
HMC5500250				524	250									15.38
HMC5500300				574	300									16.8
HMC5500400				674	400									19.6
HMC5500500				774	500									22.36
HMC5500600				874	600									25.65
<b>NEW!</b> HMC5500700				974	700									28.72
HMC5500800				1074	800									31.15
HMC5501000				1274	1000									36.65
HMC090500300	90	105	50	580	300	1/2"	47	47	40	94	94	28	28	20.96
HMC090500400				680	400									24.3
HMC090500500				780	500									27.63
HMC090500600				880	600									30.96
<b>NEW!</b> HMC090500700				980	700									35.12
HMC090500800				1080	800									37.63
HMC090501000				1280	1000									44.3
HMC6500200	100	115	50	530	200	1/2"	60	60	50	120	120	35	35	23.95
HMC6500250				580	250									25.95
HMC6500300				630	300									27.45
HMC6500400				730	400									30.95
HMC6500500				830	500									34.45
HMC6500600				930	600									37.95
<b>NEW!</b> HMC6500700				1030	700									42.37
HMC6500800				1130	800									44.95
HMC6501000				1330	1000									51.95
HMC6600300	100	115	60	630	300	1/2"	60	60	50	120	120	35	35	29.95
HMC6600400				730	400									33.95
HMC6600500				830	500									37.95
HMC6600600				930	600									41.95
<b>NEW!</b> HMC6600700				1030	700									47.23
HMC6600800				1130	800									50.45
HMC6601000				1330	1000									58.95