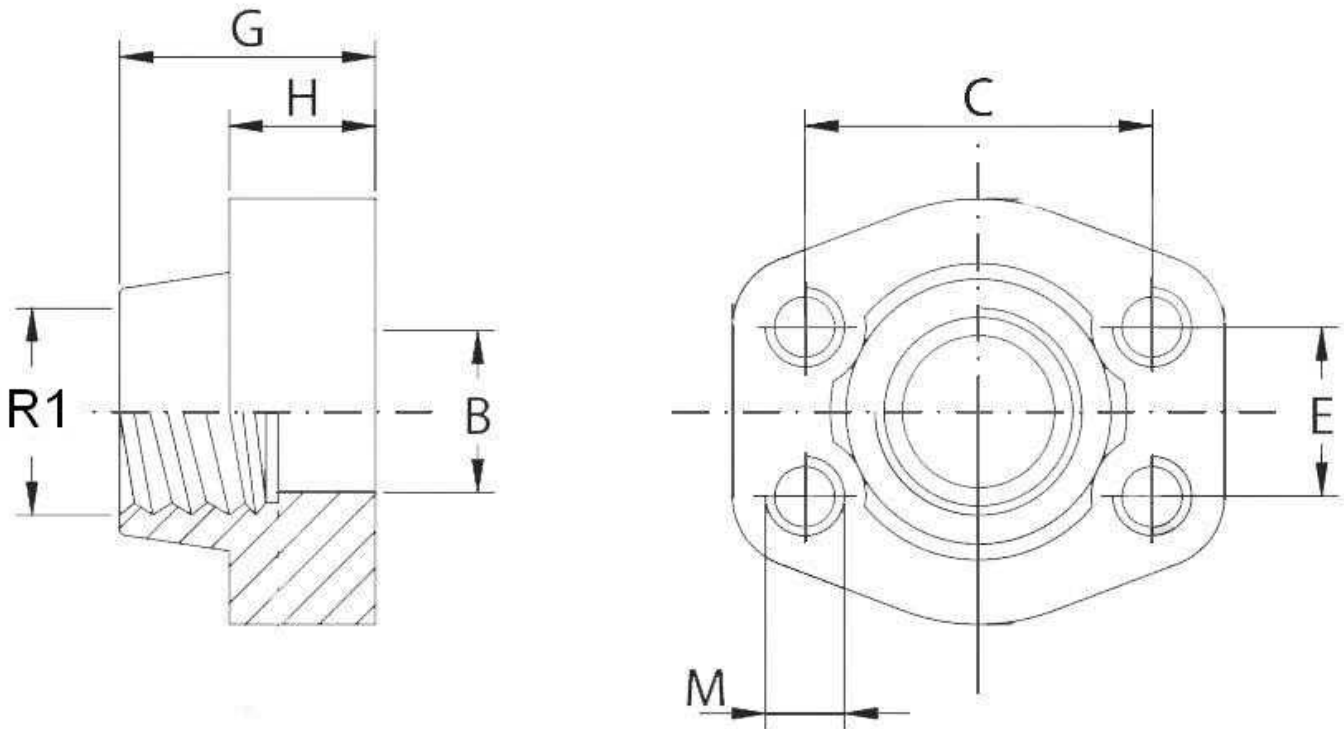


**BSP Female threaded counter-flange**

Stainless Steel AISI 316-L



| Part n°           | Serie    | R1        | Size  | B  | C      | E     | G  | H  | M   |
|-------------------|----------|-----------|-------|----|--------|-------|----|----|-----|
| <b>ZBCRG30808</b> | 3000 PSI | 1/2" BSP  | 1/2"  | 13 | 38,1   | 17,48 | 36 | 16 | M8  |
| <b>ZBCRG31212</b> | 3000 PSI | 3/4" BSP  | 3/4"  | 19 | 47,63  | 22,23 | 36 | 18 | M10 |
| <b>ZBCRG31616</b> | 3000 PSI | 1" BSP    | 1"    | 25 | 52,37  | 26,19 | 38 | 18 | M10 |
| <b>ZBCRG32020</b> | 3000 PSI | 1"1/4 BSP | 1"1/4 | 32 | 58,72  | 30,18 | 40 | 21 | M10 |
| <b>ZBCRG32424</b> | 3000 PSI | 1"1/2 BSP | 1"1/2 | 38 | 69,85  | 35,71 | 45 | 25 | M12 |
| <b>ZBCRG33232</b> | 3000 PSI | 2" BSP    | 2"    | 51 | 77,77  | 42,88 | 45 | 25 | M12 |
| <b>ZBCRG34040</b> | 3000 PSI | 2"1/2 BSP | 2"1/2 | 63 | 88,9   | 50,8  | 50 | 25 | M12 |
| <b>ZBCRG34848</b> | 3000 PSI | 3" BSP    | 3"    | 73 | 106,38 | 61,93 | 50 | 27 | M16 |
| <b>ZBCRG35656</b> | 3000 PSI | 3"1/2 BSP | 3"1/2 | 89 | 120,65 | 69,85 | 48 | 27 | M16 |
| <b>ZBCRG36464</b> | 3000 PSI | 4" BSP    | 4"    | 99 | 130,18 | 77,77 | 48 | 27 | M16 |
| <b>ZBCRG60808</b> | 6000 PSI | 1/2" BSP  | 1/2"  | 13 | 40,49  | 18,24 | 36 | 16 | M8  |
| <b>ZBCRG61212</b> | 6000 PSI | 3/4" BSP  | 3/4"  | 19 | 50,8   | 23,8  | 35 | 21 | M10 |
| <b>ZBCRG61616</b> | 6000 PSI | 1" BSP    | 1"    | 25 | 57,15  | 27,76 | 42 | 25 | M12 |
| <b>ZBCRG62020</b> | 6000 PSI | 1"1/4 BSP | 1"1/4 | 32 | 66,68  | 31,75 | 45 | 27 | M14 |
| <b>ZBCRG62424</b> | 6000 PSI | 1"1/2 BSP | 1"1/2 | 38 | 79,38  | 36,5  | 50 | 30 | M16 |
| <b>ZBCRG63232</b> | 6000 PSI | 2" BSP    | 2"    | 51 | 96,82  | 44,45 | 65 | 37 | M20 |