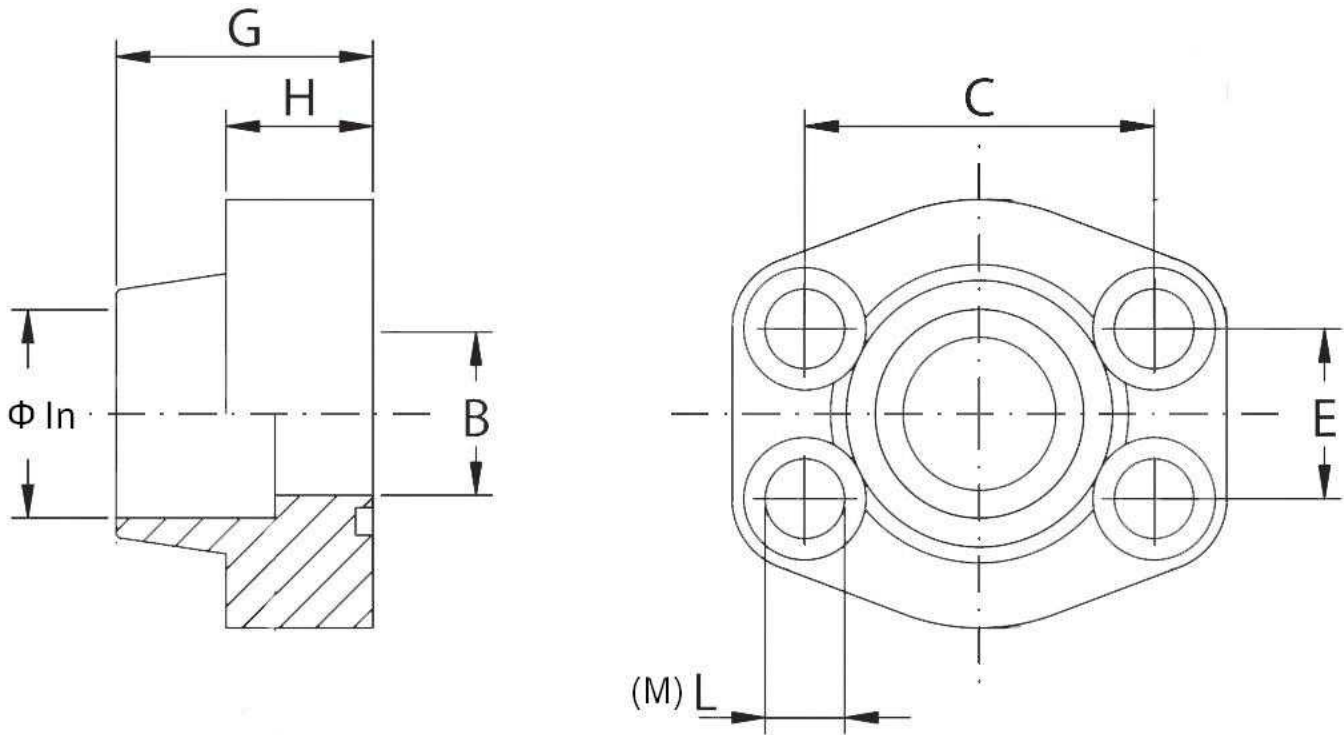


## Female welding flange for metric tube

Stainless Steel AISI 316-L



Part n°	Serie	Ø in	Size	O'Ring	B	C	E	G	H	L	M
<b>ZBBSM308203</b>	3000 PSI	20.3	1/2"	4075	13	38,1	17,48	36	16	9	M8x30
<b>ZBBSM312253</b>	3000 PSI	25.3	3/4"	4100	19	47,63	22,23	36	18	11	M10x35
<b>ZBBSM316303</b>	3000 PSI	30.3	1"	4131	25	52,37	26,19	38	18	11	M10x35
<b>ZBBSM320383</b>	3000 PSI	38.3	1"1/4	4150	32	58,72	30,18	41	21	11,5	M10x40
<b>ZBBSM324505</b>	3000 PSI	50.5	1"1/2	4187	38	69,85	35,71	45	25	13,5	M12x45
<b>ZBBSM608203</b>	6000 PSI	20.3	1/2"	4075	13	40,49	18,24	36	16	9	M8x30
<b>ZBBSM612253</b>	6000 PSI	25.3	3/4"	4100	19	50,8	23,8	35	21	11	M10x40
<b>ZBBSM616303</b>	6000 PSI	30.3	1"	4131	25	57,15	27,76	42	25	13	M12x45
<b>ZBBSM620383</b>	6000 PSI	38.3	1"1/4	4150	32	66,68	31,75	45	27	15 *	M14x45
<b>ZBBSM624505</b>	6000 PSI	50.5	1"1/2	4187	38	79,38	36,5	50	30	17	M16x50