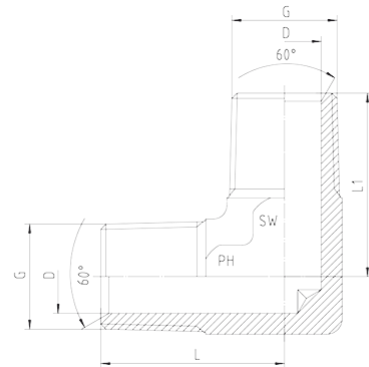


**Rubrik 5.27
Elbow-Adaptors - NPT - NPT - Male - 90°**


Male - NPT - NPT
with 60°-Cone

Pressure	Thread		Approx. Dimensions				Order-Code
	PN	G = NPT	L	L1	D	SW	
420		1/8"-27	20,0	20,0	5,0	12	1350511-02
420		1/4"-18	28,0	28,0	7,0	14	1350511-04
420		3/8"-18	31,0	31,0	10,0	19	1350511-06
420		1/2"-14	35,0	35,0	14,0	24	1350511-08
420		3/4"-14	40,0	40,0	18,0	36	1350511-12
420		1"-11,5	50,0	50,0	24,0	41	1350511-16
315		1 1/4"-11,5	56,0	56,0	30,0	50	1350511-20
315		1 1/2"-11,5	59,0	59,0	37,0	50	1350511-24
315		2"-11,5	76,0	76,0	45,0	65	1350511-32