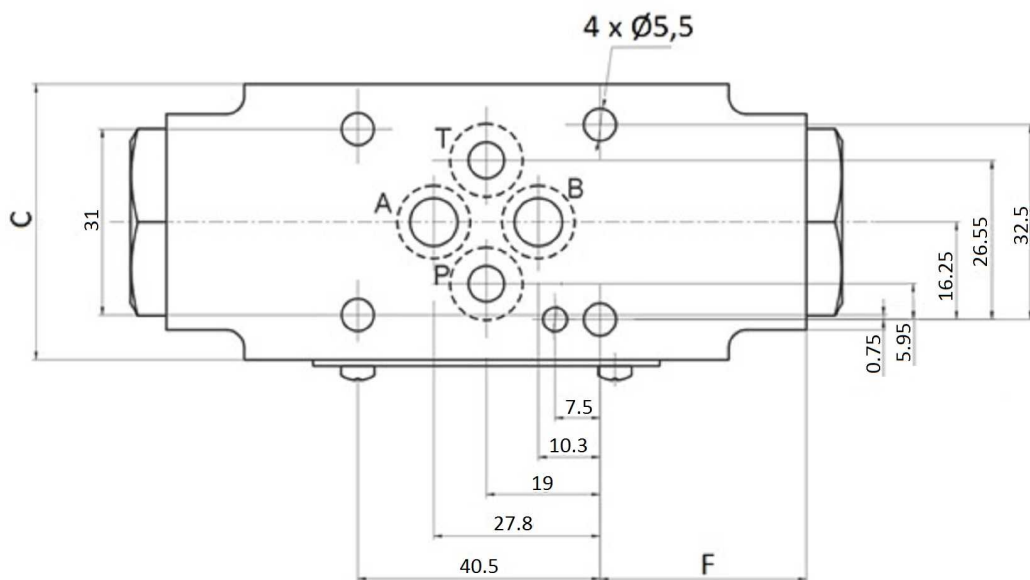
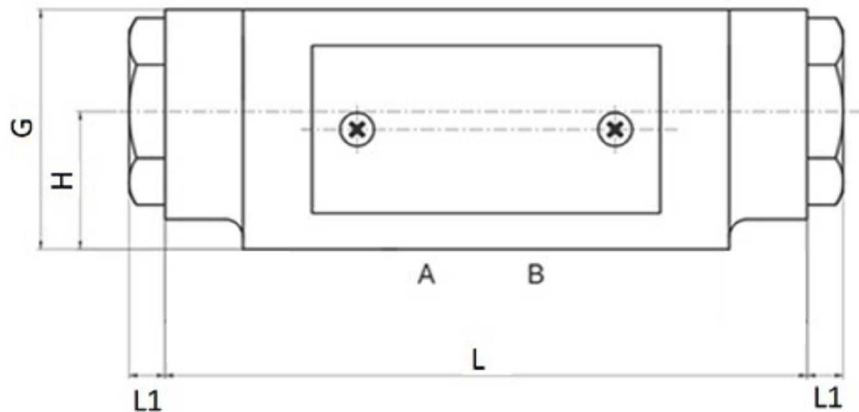
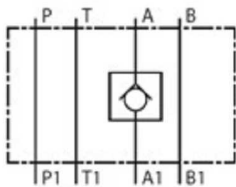


Solenoid valves

Modular blocks for NG6

NG6 Check valve in A



Cast iron body
Spring opening: 0,5 Bar

Solenoid valves

Modular blocks for NG6

NG6 Check valve in A

Part n°	Size	Max. flow (l/min)	Max. Press. (bar)	L	L1	C	F	G	H
AKV-6-A H	NG-6	40	315	80	6	46	20	40	20