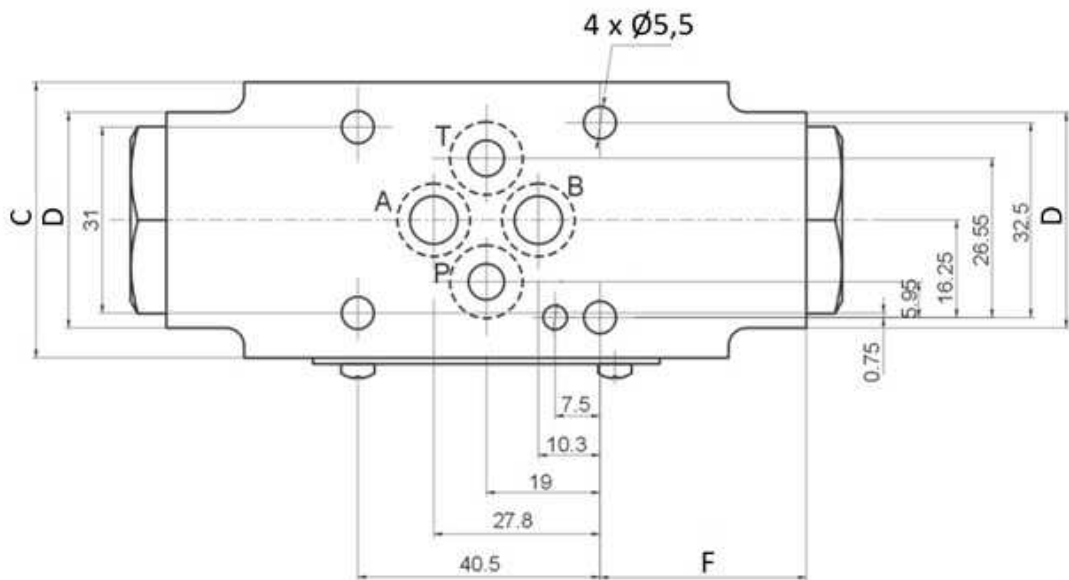
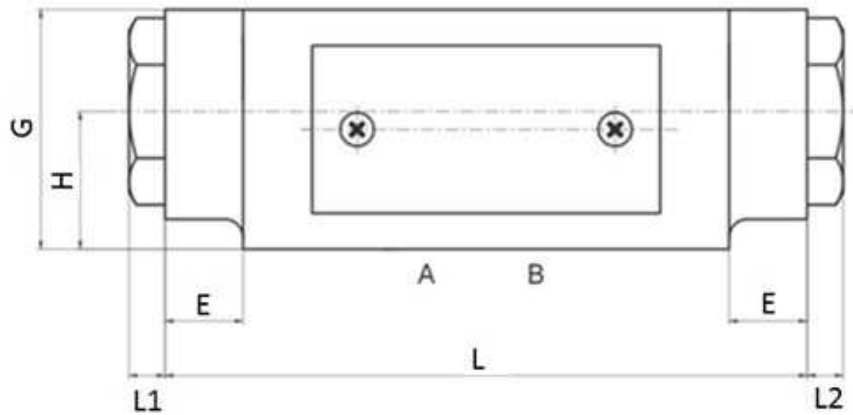
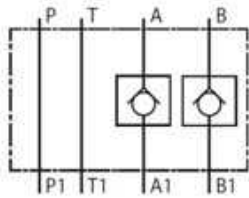


Solenoid valves

Modular blocks for NG6

NG6 Check valve in A and B



Cast iron body

Spring opening: 0,5 Bar

Solenoid valves

Modular blocks for NG6

NG6 Check valve in A and B

Part n°	Size	Max. flow (l/min)	Max. Press. (bar)	L	L1	L2	C	D	E	F	G	H
AKV-6-D H	NG-6	40	315	107	6	6	46	36	13	34,5	40	23