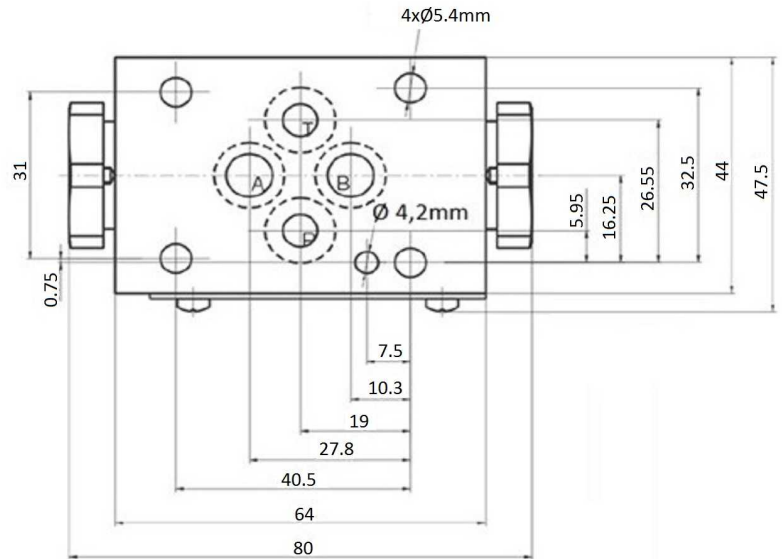
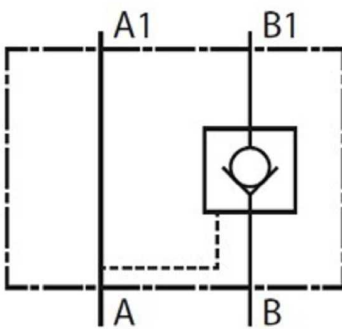


Solenoid valves

Modular blocks for NG6

NG6 Check valve with NG6 pilot in B



- Max. Working Pressure** 315 bar
- Opening Pressure** 0,5 bar
- Max. Flow** 60 l/min
- 4 Screw Set Included** M5x85
- Pilot ratio:** 1:2.9
- Height:** 40 mm
- Cast iron body**

Part n°	Size
APKV-6-B H	NG-6