

Version	Symbol	Type
In azure painted steel		SBCV

Litres	0,5	1	2,5	5	7	10	12	15	24	50	100
Code	05	1	2	5	7	10	12	15	24	50	100

N° of connection	2	4
Code	2	4



Keep to the use and maintenance manual supplied together with each reservoir.

**II 2GDc IIC TX**

On request, they can be supplied according to 2014/34/EU - ATEX

Series of air-reservoirs for compressed air built according to directive 2014/68/EU and 2014/29/EU about plants under pressure.

\* How to order: 24SBCV4

24	SBCV	4
Litres code	Type	Code of the number of connections

\* For standard models, codes and dimensions see tables from page 4.70.2.

For accessories see page 4.70.11.

For safety valves see page 2.390.1.

For pressure-gauges see page 3.50.1.

Technical data	
	SBCV
Fluid	Compressed air
Pressure	11 bar
Hydrostatic test pressure	16,5 bar
Temperature range	-10 °C ÷ +60 °C
Threads	Parallel UNI - ISO 228/1 (BSP)
Materials	Bottom: Steel Fe PO4 Shell: Steel Fe PO4 Socket joint: Fe 45.1
External treatments	Epoxide power painting RAL 5015-110
Weldings	Between the bottom and the shell: Wire welding Between the bottom and the socket joint: Submerged arc welding Between the shell and the socket joint: Submerged arc welding
Dimensions	Tolerances on mesures in the catalog = ± 5 mm

2014/68/EU Type: **05SBCV2**

Code	Item	Number of connections
050000	05SBCV2	2

2014/68/EU Type: **1SBCV2**

Code	Item	Number of connections
050001	1SBCV2	2

2014/68/EU Type: **2SBCV2**

Code	Item	Number of connections
050002	2SBCV2	2

2014/68/EU Type: **5SBCV2**

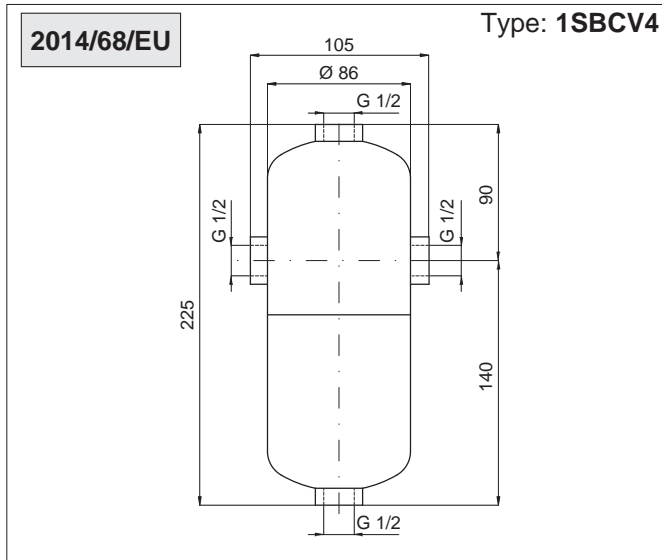
Code	Item	Number of connections
050005	5SBCV2	2

2014/68/EU Type: **7SBCV2**

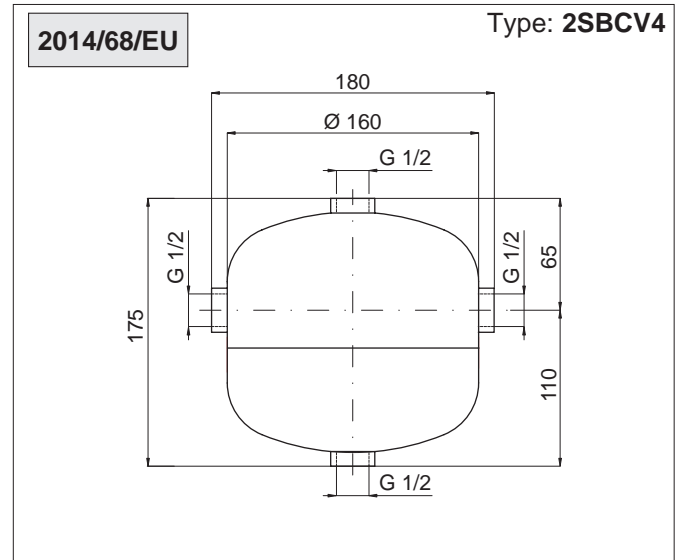
Code	Item	Number of connections
050007	7SBCV2	2

2014/68/EU Type: **12SBCV2**

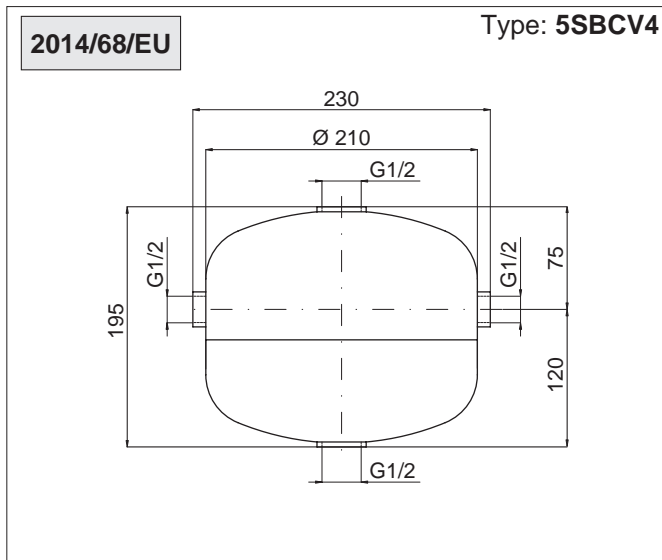
Code	Item	Number of connections
050012	12SBCV2	2



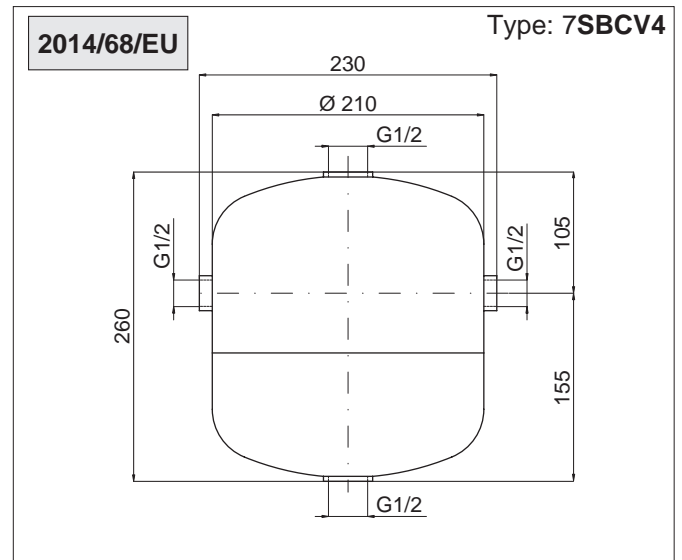
Code	Item	Number of connections
050501	1SBCV4	4



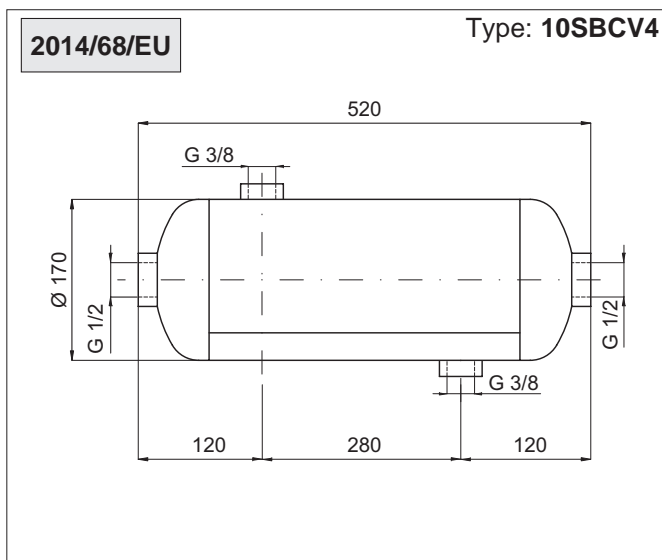
Code	Item	Number of connections
050502	2SBCV4	4



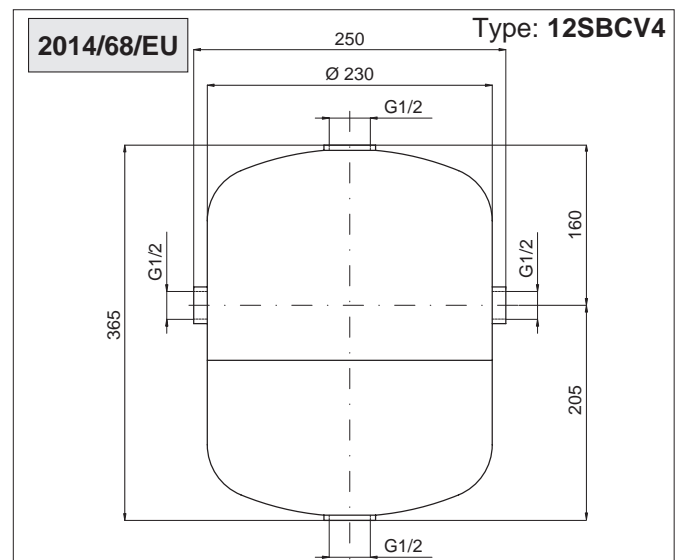
Code	Item	Number of connections
050505	5SBCV4	4



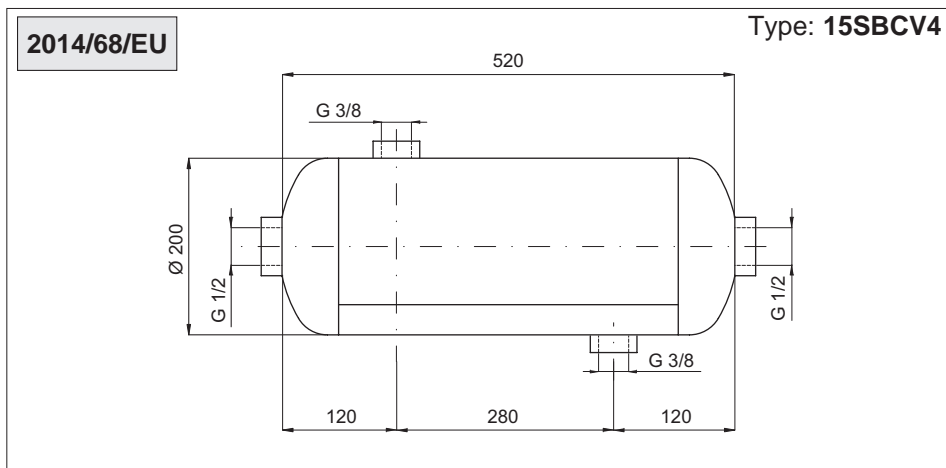
Code	Item	Number of connections
050507	7SBCV4	4



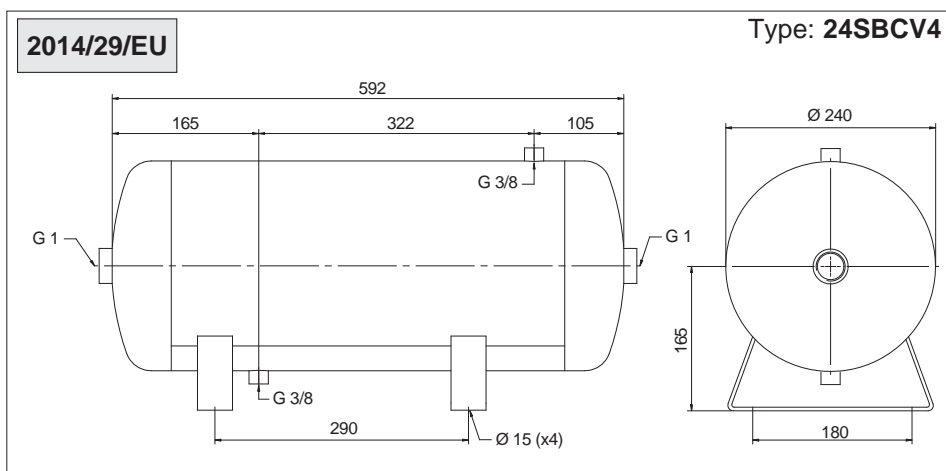
Code	Item	Number of connections
050604	10SBCV4	4



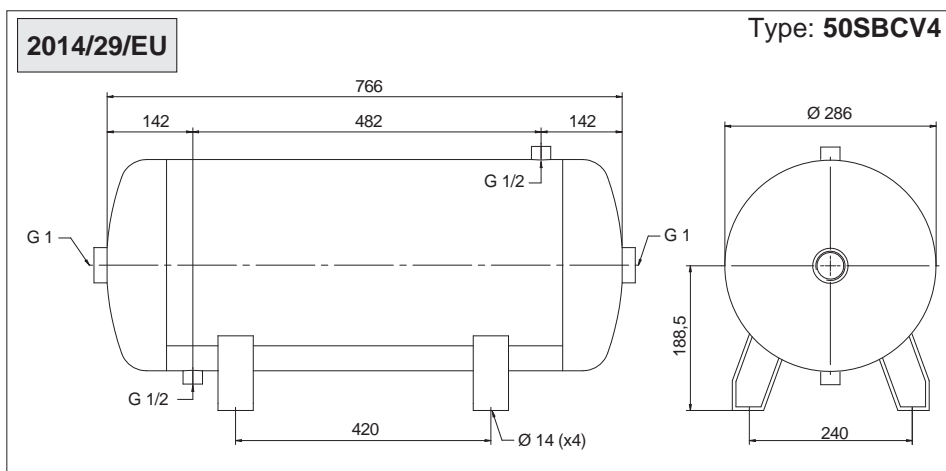
Code	Item	Number of connections
050512	12SBCV4	4



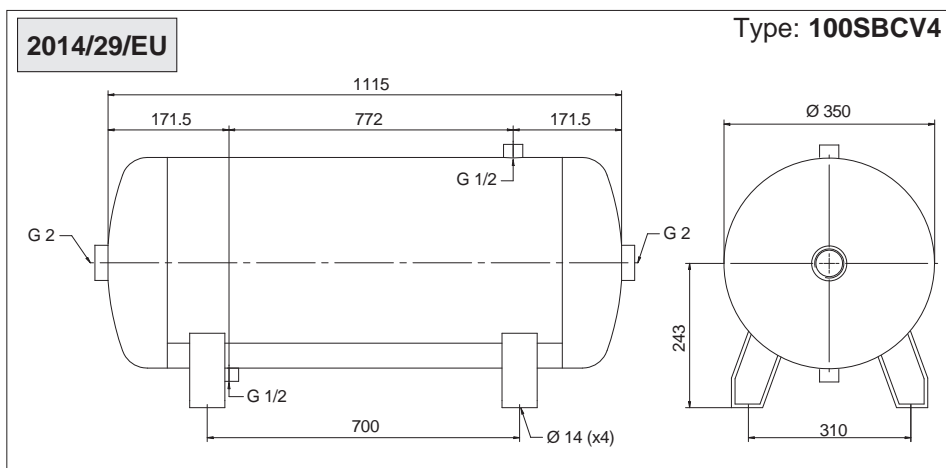
Code	Item	N. of connections
050605	15SBCV4	4



Code	Item	N. of connections
050102	24SBCV4	4



Code	Item	N. of connections
050101	50SBCV4	4



Code	Item	N. of connections
050615	100SBCV4	4