

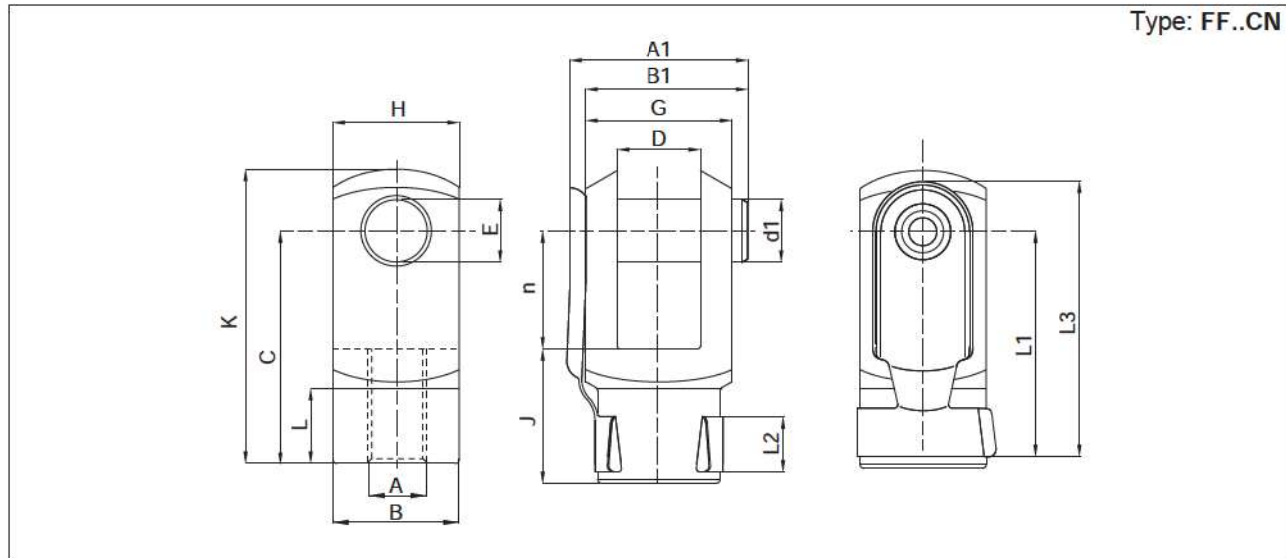
Standard executions		
Version	Symbol	Type
Female clevis with clip		FF..CN
Female clevis with pin and seeger		FFP..CN
Female clevis body only		FFN..CN
Male clevis with pin and seeger		FM..CN
Male clevis body only		FMN..CN



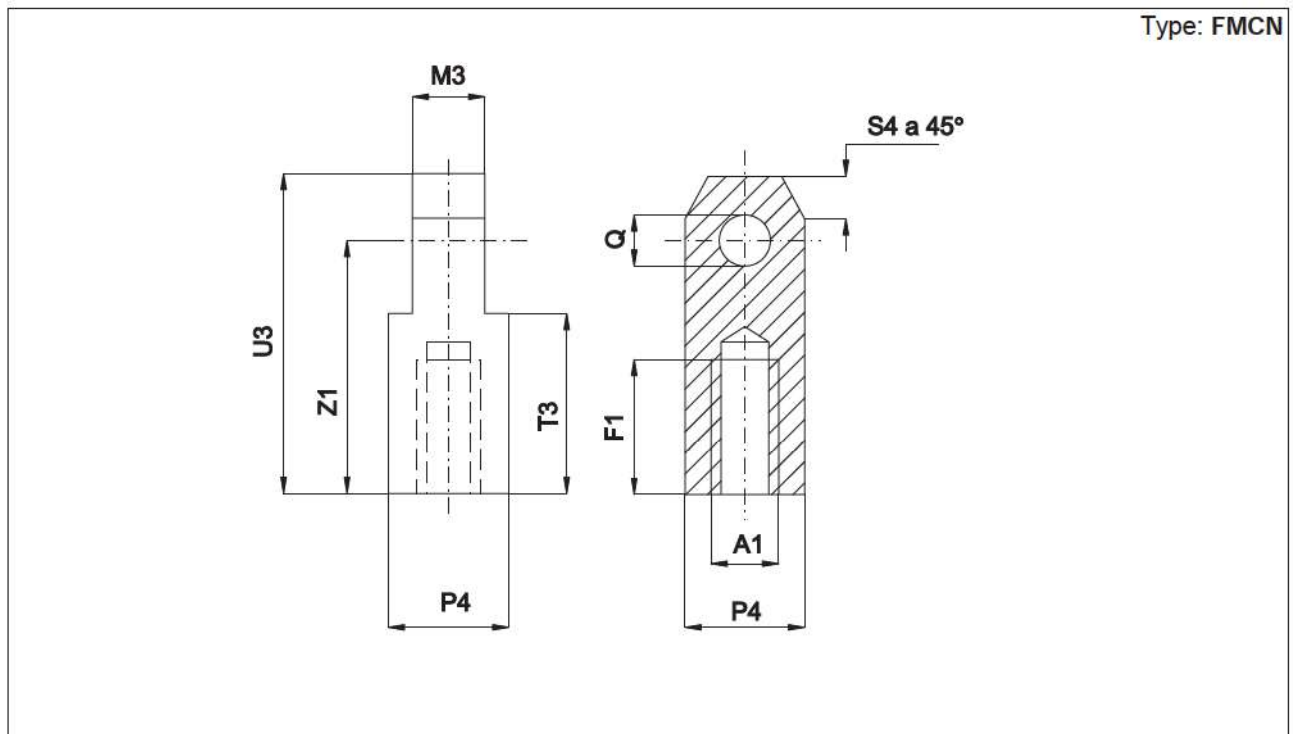
Clevis conforming to CNOMO standards.
 The female clevis FF..CN version is provided complete with clips, the FFP..CN version is provided with a pin and 2 seegers, while the FFN..CN version is provided only the clevis body.
 The male clevis FM..CN version is provided complete with a pin and 2 seegers, while the FMN..CN version is provided only the clevis body.
 The clevis is mounted on the cylinder rod and allows a swinging movement.

Options	Suffix
Special versions on request	/ S

Technical data	
Material	White zinc plated steel



Code	Item	For cylinder Ø mm	A	A1	B	B1	C	DH11	d1 h11	Eh8	G	H	L1	J	L2	K	L3	L	n	Weight (g)
041081	FF10CN	25-32	M10x1,5	28	18	25	36	11	8	8	22	22	36	20	10	45	41	14	16	94
041082	FF16CN	40-50	M16x1,5	44	26	40	51	18	12	12	36	26	50	26	12	64	60	17	25	253
041084	FF20CN	63-80	M20x1,5	53	34	49	63	22	16	16	45	34	63	30	15	80	74	18,5	33	530
041086	FF27CN	100-125	M27x2	73	42	69	85	30	20	20	63	42	81	45	19	105	98	30	40	1110
041088	FFP36CN	160-200	M36x2	-	50	-	115	40	25	25	80	50	-	75	-	140	-	45	-	2160



Code	Item	For cylinder Ø mm	A ₁	F ₁	M ₃	P ₄	Q _{h8}	S ₄	T ₃	U ₃	Z ₁
041041	FM10CN	25-32	M10x1,5	20	11	22	8	6	25	45	36
041042	FM16CN	40-50	M16x1,5	30	18	32	12	10	34	64	51
041044	FM16CN	63-80	M20x1,5	36	22	36	16	12	41	80	63
041046	FM27CN	100-125	M27x2	50	30	45	20	17,5	58	105	85
041048	FM36CN	160-200	M36x2	70	40	63	25	20	81	140	115