

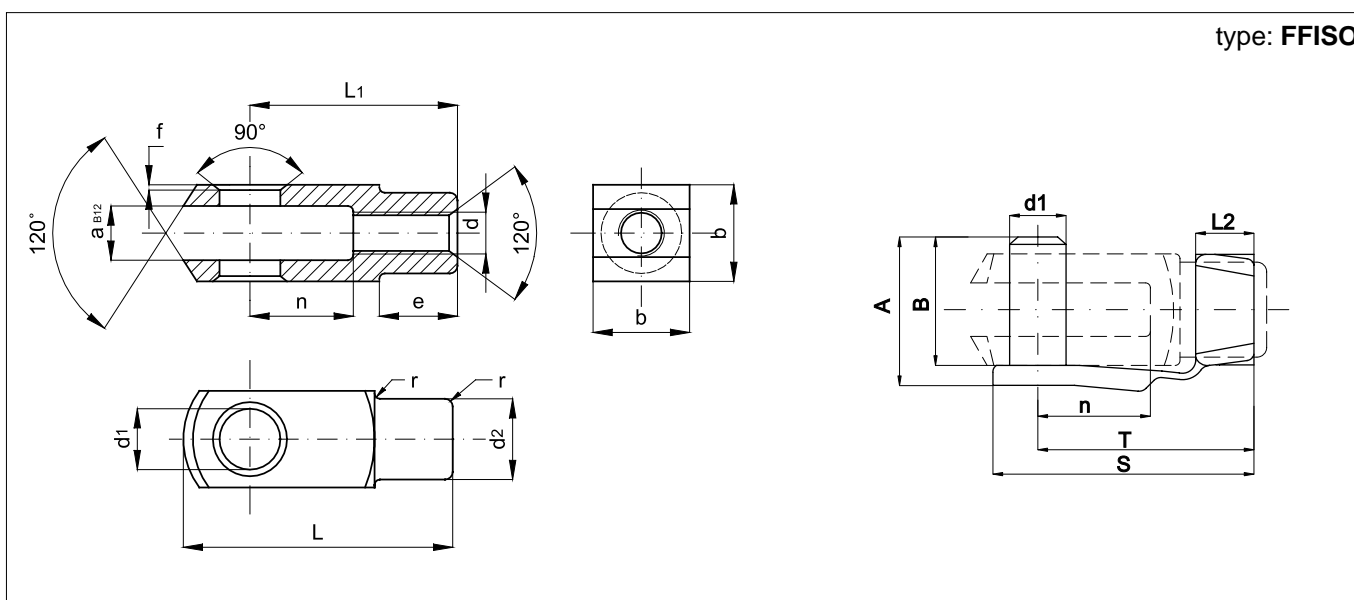
Standard executions		
Version	Symbol	Type
Female clevis		<b>FFISO</b>



Clevis conforming to ISO 8140 standards. They are complete with clips in the standard version (the models M27X2 and M36X2 are normally provided with a pin and 2 seegers). The clevis is mounted on the cylinder rod and allows a swinging movement.

Options	Suffix
With a pin and 2 seegers (M27 and M36 already standard)	<b>P</b>
Special versions on request	<b>/ S</b>

Technical data	
Material	White zinc plated steel



Code	Item	For cylinder ø mm	d	a	A	S	B	b	d <sub>1</sub>	T	L <sub>2</sub>	d <sub>2</sub>	e	f	L	L <sub>1</sub>	n	r	Weight (g)
041001	4FFISO	8-10	M4x0,7	4	11	19	9	8	4	15	5	8	6	0,5	21	16	8	0,5	7
041002	6FFISO	12-16	M6x1	6	16	28	14	12	6	23	6	10	9	0,5	31	24	12	0,5	19
041003	8FFISO	20	M8x1,25	8	22	37	19	16	8	31	8	14	12	0,5	42	32	16	0,5	47
041004	10FFISO	25-32	M10x1,25	10	26	46	23	20	10	39	10	18	15	0,5	52	40	20	0,5	89
041005	12FFISO	40	M12x1,25	12	32	55	28	24	12	47	12	20	18	0,5	62	48	24	0,5	153
041006	16FFISO	50-63	M16x1,5	16	40	72	36	32	16	62	14	26	24	1	83	64	32	1	320
041007	20FFISO	80-100	M20x1,5	20	48	88	44	40	20	72	16	34	30	1	105	80	40	1	680
041008	24FFISO	*	M24x2	25	-	-	-	50	25	-	-	42	36	1	132	100	50	1	1330
041009	27FFISO	125	M27x2	30	-	-	-	55	30	-	-	48	38	1	148	110	54	1	1810
041010	36FFISO	160-200	M36x2	35	-	-	-	70	35	-	-	60	40	1	188	144	72	1	3890
041068	42FFISO	250	M42x2	40	104,3	-	-	85	40	-	-	70	63,5	1	232	68	84	5	5300
041069	48FFISO	320	M48x2	50	117,3	-	-	96	50	-	-	82	73	1	265	92	96	5	7900

\* For cylinders not conforming to standards.