

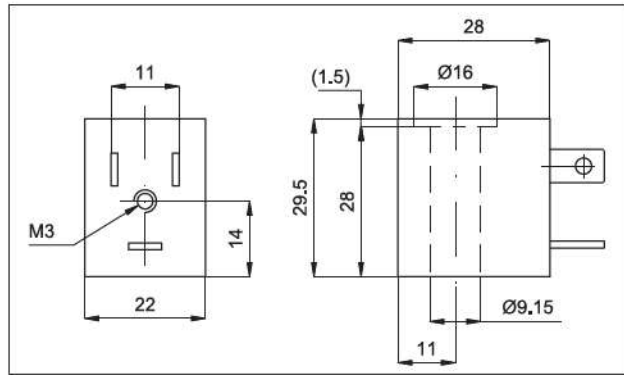
### Type ASA12

Series of coils with low electrical consumption conforming to EN 60204 and VDE 0580 standards, class F.

They can be mounted on the following valves: APA..., AE14..., AEF..., AEC...

For the connectors type A122.. see page 2.210.20.

Voltage	Code	Item
12V DC	032100	ASA1201200
12V AC	032101	ASA1201250
24V DC	032102	ASA1202400
24V AC	032103	ASA1202450
48V AC	032104	ASA1204850
110V AC	032105	ASA1211050
230V AC	032106	ASA1222050



For ATEX coils see page 2.200.50



Technical data	Direct current	Alternating current
Voltage tolerance	± 10%	± 10%
Frequency tolerance	-	± 5%
Electrical consumption	3 W	4,2 VA
Voltage	12 and 24 V	12, 24, 48, 110, 230 V 50/60HZ
Duty cycle	100% ED	
Class protection	IP 65 (with connector already mounted)	
Temperature range	-20 °C ÷ + 50 °C	
Response time	10 ms	

2

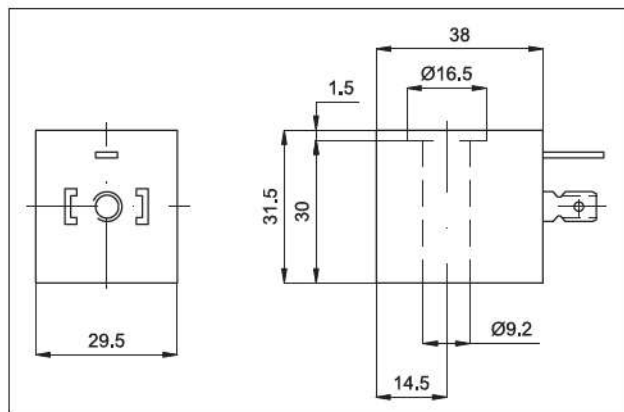
### Type ASA2

Series of low consumption coils according EN 60204.1 and VDE 0580 standards, class F.

They can be used on the following valves: AE22..., AEA1..., AEA2...

For connectors type A182... see page 2.210.30.

Voltage	Code	Item
12V DC	032109	ASA201200
12V AC	032110	ASA201250
24V DC	032111	ASA202400
24V AC	032112	ASA202450
48V AC	032113	ASA204850
110V AC	032114	ASA211050
230V AC	032115	ASA222050



For ATEX coils see page 2.200.50



Technical data	Direct current	Alternating current
Voltage tolerance	± 10%	- 10% ÷ +15%
Frequency tolerance	-	± 5%
Electrical consumption	2,5 W	5 VA
Voltage	12 and 24 V	12, 24, 48, 110, 230 V 50/60HZ
Duty cycle	100% ED	
Class protection	IP 65 (with connector already mounted)	
Temperature range	-20 °C ÷ + 50 °C	
Response time	10 ms	