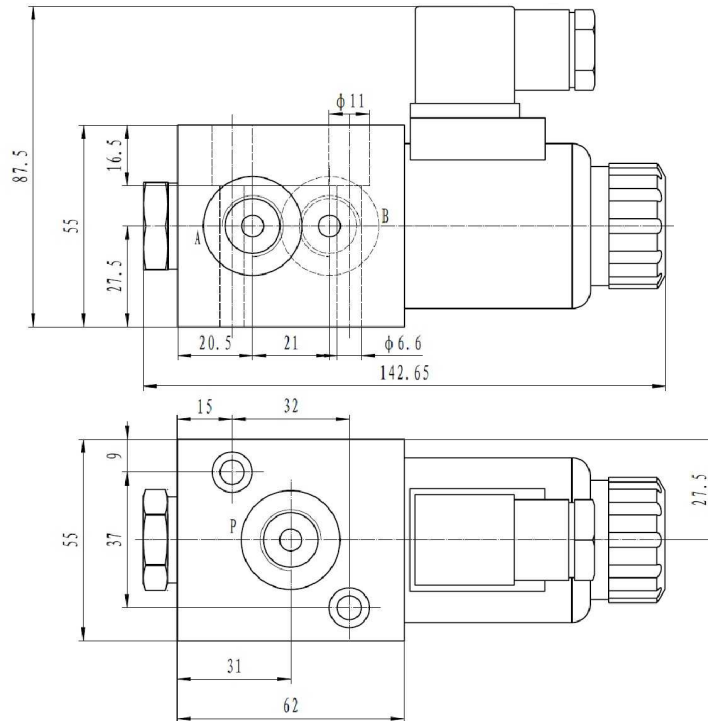
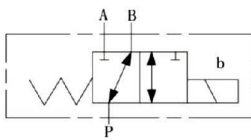


Diverter valves

Diverter valve 3 ways 3/8"

Page: 1/1



Material: Body is molten made

Part n°	R1	N° ways	Voltage (V)	Max. flow (l/min)	Max. Press. (bar)
SM3V3812CC	3/8" BSP	3	12 VDC	50	210
SM3V3824CC	3/8" BSP	3	24 VDC	50	210