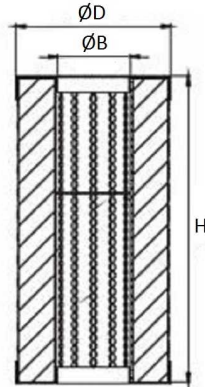


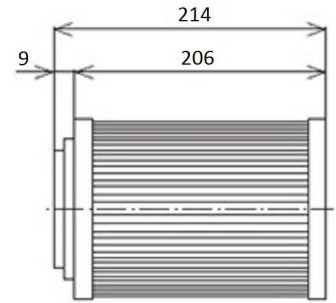
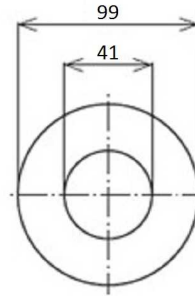
Filters

Return filter semi-submerged (cartridge)

Page: 1/1



FITCR10C10B
...
FITCR22C25B



FITCR40C10B
FITCR40C25B

All of the filters have bypass.

Opening of the bypass valve: 1 bar

A: R1

Part n°	Details	Max. flow (l/min)	ØB	ØD	H
FITCR10C10B	Cartón 10 µ	50	25,5	52	72
FITCR10C25B	Cartón 25 µ	50	25,5	52	72
FITCR20C10B	Cartón 10 µ	100	30,5	66	85
FITCR20C25B	Cartón 25 µ	100	30,5	66	85
FITCR22C10B	Cartón 10 µ	100	30,5	66	130
FITCR22C25B	Cartón 25 µ	100	30,5	66	130
FITCR40C10B	Cartón 10 µ	250	40,5	100	245
FITCR40C25B	Cartón 25 µ	250	40,5	100	245

TOL--> ØB:++0,3; ØD:++0,5; H:++1,6