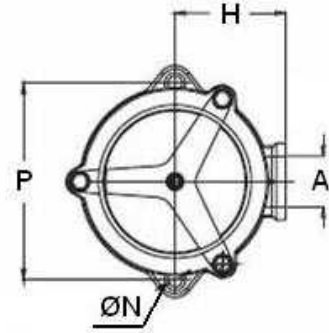
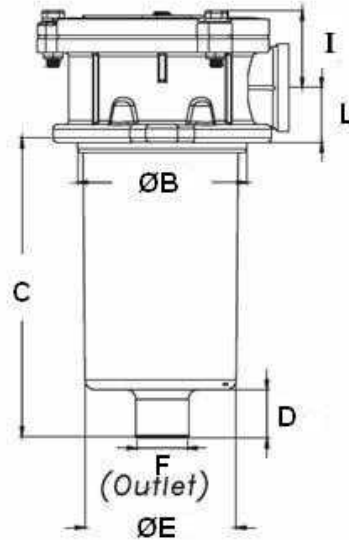


Filters

Return filter semi-submerged (head)

Page: 1/1



Direct tank mounting

Materials: -aluminium die cast cap
-aluminium die cast and polyamide body

Pressure: Max.pressure: 7 bar
Test pressure: 12 bar
Burst pressure:16 bar

Max. Temperature: 80°C

Part n°	R1	Cartridge	ØB	ØE	ØN	C	D	F	H	I	L	P
FITR10	1/2" BSP	FITCR10	68	58	7	89	15	19	53	27	24	90
FITR21	3/4" BSP	FITCR20	87	78	8,5	104	25	22	65	36	28	115
FITR23	1" BSP	FITCR22	87	78	8,5	153	25	22	65	36	28	115
FITR40	1" BSP	FITCR40	129	-	10	241	30	40	95	55	35	175