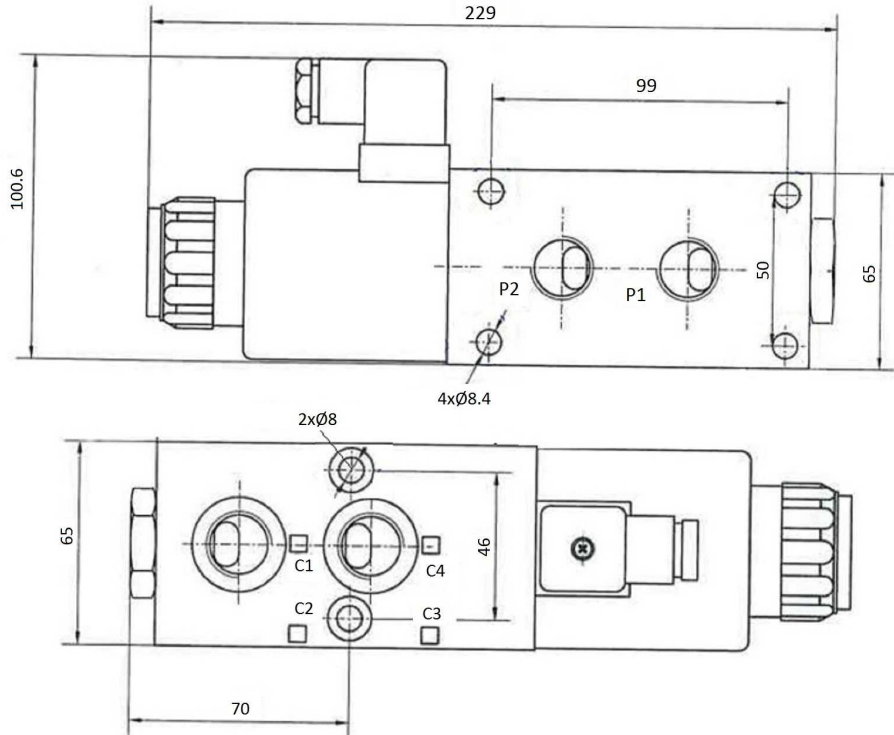
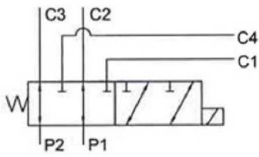


Diverter valves

Stackable diverter valve 1/2 DC, 6 ways, no drain

Page: 1/1



Material: Body is molten made

Name Plate (batch no): 746-93141-1420

NBR O-ring: 20×1.8/70° 25×2.65/90°

Part n°	R1	N° ways	Voltage (V)	Max. flow (l/min)	Max. Press. (bar)	N° of elements	Ø nucleus
SA6V1212CC-1 S-D	1/2" BSP	6	12VDC	80	250	1	31
SA6V1224CC-1 S-D	1/2" BSP	6	24VDC	80	250	1	31

R1= P1=P2=C1=C2=C3=C4