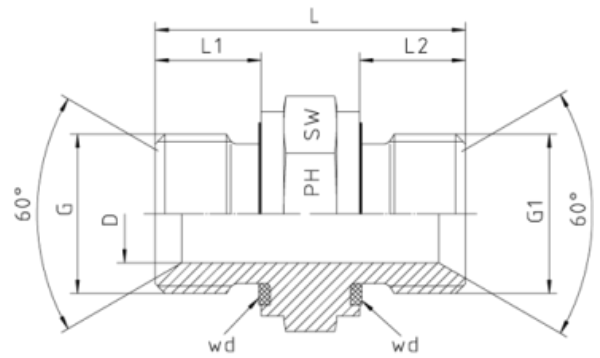


## Rubrik 5.8

### BSP - Parallel - 60°-Cone with Soft Sealing



BSP - BSP

With 60°-Cone

wd = Sealing by an Elastomer Profiled Ring - Viton

Male - Male - Parallel

Pressure	Thread		Approx. Dimensions					Order-Code	Gross- Price (€)
	G = BSP	G1 = BSP	L	L1	L2	D	SW		
400	1/8"-28	1/8"-28	23,0	8	8	4,5	14	1050508-02-02	7,50
400	1/4"-19	1/4"-19	29,0	10	10	6,0	19	1050508-04-04	7,65
400	3/8"-19	3/8"-19	35,0	12	12	9,0	22	1050508-06-06	8,50
400	1/2"-14	1/2"-14	41,0	14	14	13,0	27	1050508-08-08	11,70
400	3/4"-14	3/4"-14	46,0	16	16	18,0	32	1050508-12-12	18,45
400	1"-11	1"-11	52,0	18	18	23,5	41	1050508-16-16	28,95
200	1 1/4"-11	1 1/4"-11	58,0	20	20	30,0	50	1050508-20-20	41,25
200	1 1/2"-11	1 1/2"-11	61,0	22	22	37,0	55	1050508-24-24	53,70
100	2"-11	2"-11	67,0	25	25	45,0	70	1050508-32-32	112,20