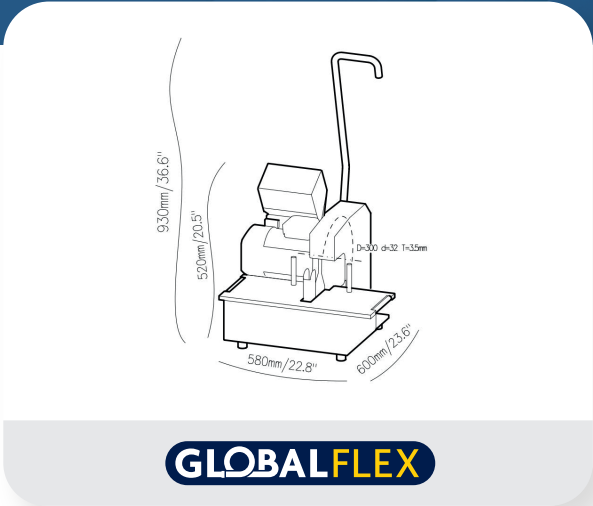




YB-C300

Global Flex Cutting Machine

C300 hose cutting machine has been designed to cut up to 2" diameter 4-spiral hoses. Great for workshop usage and is manually operated and easy to use



TECHNICAL DATA

Max. hose size (inches)	2*4SH
Diameter (blade) ext. (mm)	300*4*32
Air power	-
Motor (kw): DC12V	4/2.2
Motor (kw): DC24V	5.3/2.99
Velocity 50HZ (rpm)	2850
Velocity 60HZ (rpm)	3370

DIMENSIONS (L x W x H)

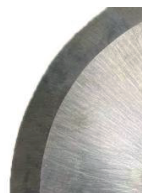
Machine (mm)	580x600x930
Machine (inch)	22.8x23.6x36.6
Package (mm)	705x625x740
Package (inch)	27.8x24.6x29.1

WEIGHT (KG)

N, W.	78
G, W.	110

GLOBALFLEX

BLADE TYPE



Smooth Blade | Smooth Blade (High Speed) | Toothed Blade



Hydraulic Hose & Fittings

Looking for hydraulic hose and fittings to go with your new swaging machine? We stock large quantities of hydraulic hose and fittings for use across every industry including; 1 wire, 2 wire, 4 wire and 6 wire hose, and fittings available in mild or stainless steel.

Looking to start a mobile hose replacement business?

We have a recommended starting stock list for any new van, speak to our sales team to discuss your specific needs.

30+ Years in the Hydraulic Industry

01472 255 928

www.hydraulicmegastore.com | hello@hydraulicmegastore.com

Unit 3 Estate Road 5, South Humberside Industrial Estate, Grimsby, North East Lincs, DN31 2TG

