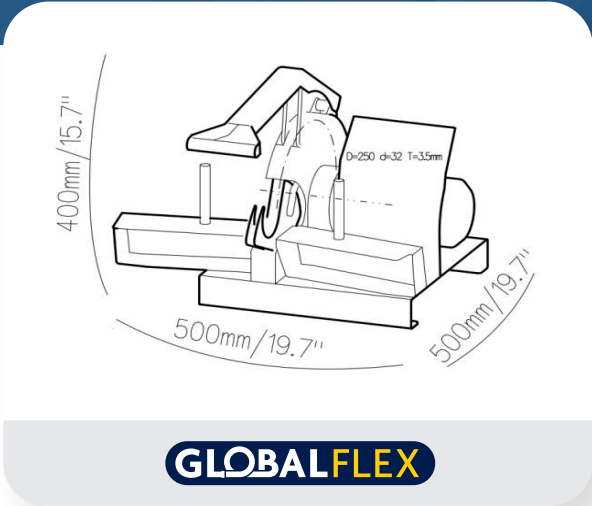




# YB-C250CS

### Global Flex Cutting Machine

C250CS hose cutting machine has been designed to cut up to 1" diameter 4-spiral hoses. CS-Models have been designed for service van usage and battery powered with 12V or 24V



#### TECHNICAL DATA

Max. hose size (inches)	1*4SH
Diameter (blade) ext. (mm)	250*3.5*32
Air power	-
Motor (kw): DC12V	1.8
Motor (kw): DC24V	2.2
Velocity 50HZ (rpm)	2560
Velocity 60HZ (rpm)	-

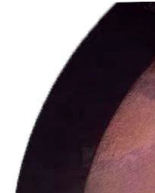
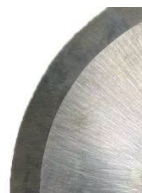
#### DIMENSIONS (L x W x H)

Machine (mm)	500x500x400
Machine (inch)	19.7x19.7x15.7
Package (mm)	625x505x510
Package (inch)	24.6x19.9x20.1

#### WEIGHT (KG)

N, W.	26
G, W.	29

#### BLADE TYPE



Smooth Blade | Smooth Blade (High Speed) | Toothed Blade



#### Hydraulic Hose & Fittings

Looking for hydraulic hose and fittings to go with your new swaging machine? We stock large quantities of hydraulic hose and fittings for use across every industry including; 1 wire, 2 wire, 4 wire and 6 wire hose, and fittings available in mild or stainless steel.

#### Looking to start a mobile hose replacement business?

We have a recommended starting stock list for any new van, speak to our sales team to discuss your specific needs.

30+ Years in the Hydraulic Industry

# 01472 255 928

[www.hydraulicmegastore.com](http://www.hydraulicmegastore.com) | [hello@hydraulicmegastore.com](mailto:hello@hydraulicmegastore.com)

Unit 3 Estate Road 5, South Humberside Industrial Estate, Grimsby, North East Lincs, DN31 2TG

