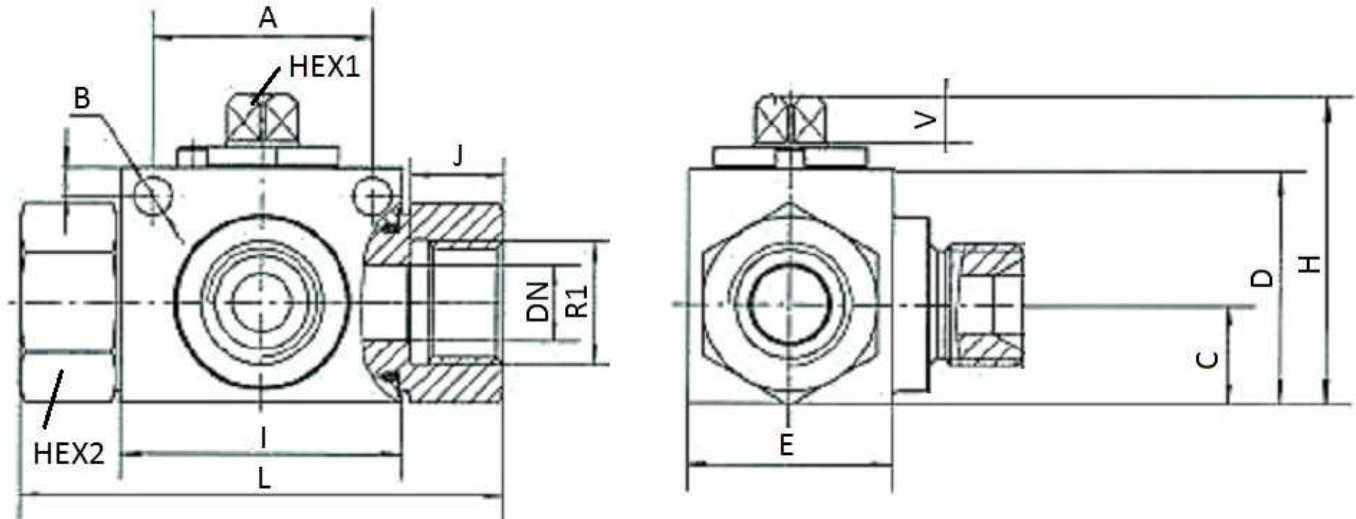


TrAle Ball Valves

3 ways

## 3 Ways ball valve female-male(60°)-female (L type)

Page: 1/1



**With fixing holes**

**Standard o-ring:** NBR

**Ball seat:** POM (polyoxymethylene)

**Lever included**

Part n°	DN	R1	Working Pressure (bar)	HEX 1	HEX 2	ØB	A	C	D	E	H	I	J	L	V
<b>GB3V 1/4</b>	6	1/4" BSP	500	9	22	4,5	26	13	32	28	44,5	37	14	69	8
<b>GB3V 3/8</b>	10	3/8" BSP	500	9	27	6,5	32	17	40	32	52,5	42	14	72	8
<b>GB3V 1/2</b>	13	1/2" BSP	500	9	30	6,5	37,5	17	40	35	52,5	48	16	83	8
<b>GB3V 3/4</b>	20	3/4" BSP	315	14	41	6,5	45	24	57	48	75	60	18	95	12
<b>GB3V 1</b>	25	1" BSP	250	14	50	6,7	55	28,5	64	57	82	65	20,5	113	12

Inlet pressure only allowed by central intake.